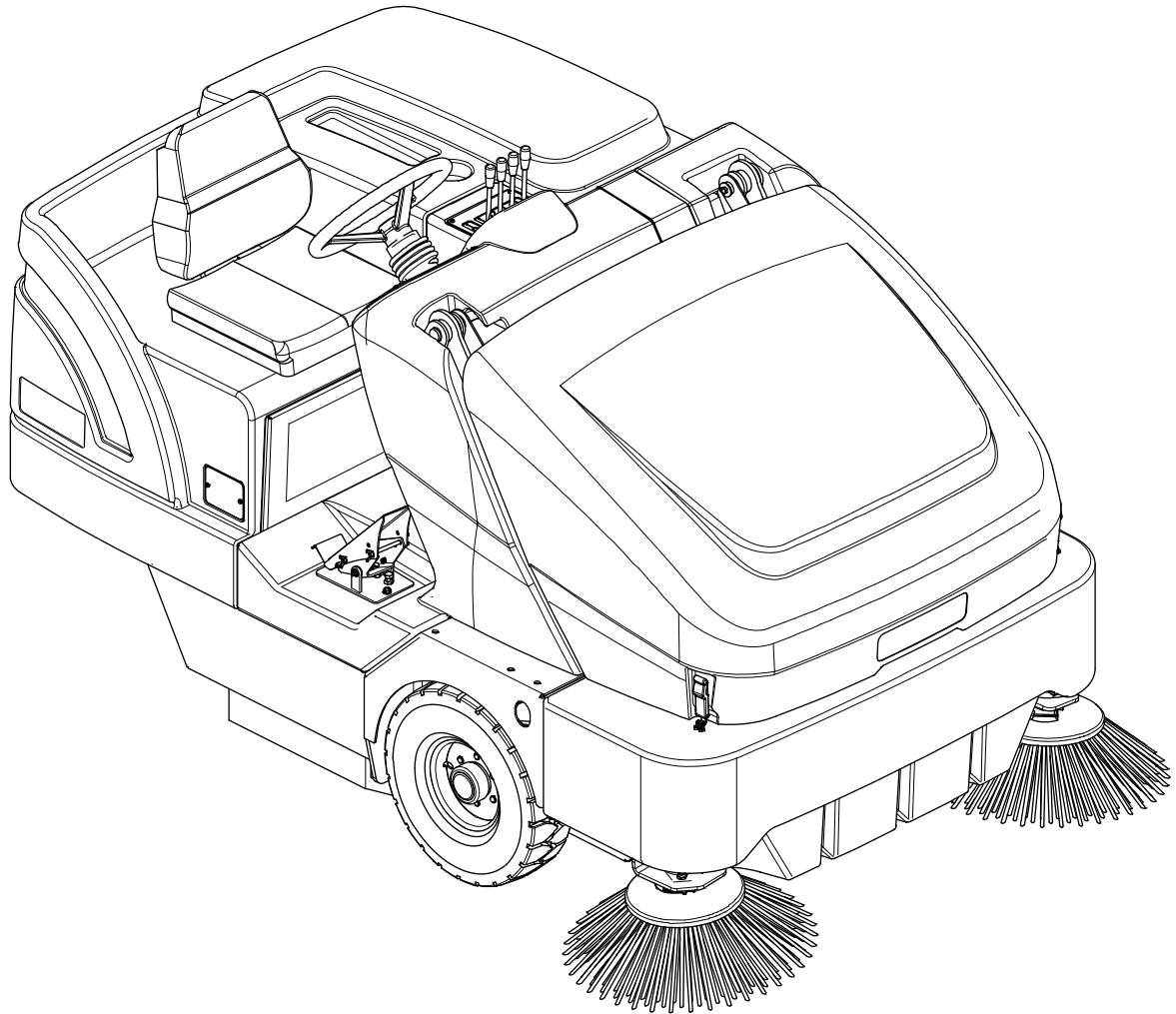


Proterra™



PARTS LIST

Advance models: 13300107 (Battery)
13300173 (Battery)



9/09 - Revised 9/14
(5)
33019868

TABLE OF CONTENTS

| ENG | PAGE |
|--|-------------|
| GENERAL VIEW | 2 - 3 |
| CHASSIS ASSEMBLY | 4 - 7 |
| CHASSIS COMPONENTS | 8 - 9 |
| HOPPER SYSTEM | 10 - 13 |
| VAC FAN AND PANEL FILTER ASSY | 14 - 15 |
| RT SIDE BROOM ASSY | 16 - 17 |
| LT SIDE BROOM ASSY | 18 - 19 |
| MAIN BROOM SYSTEM | 20 - 21 |
| ASSY CONTROL | 22 - 23 |
| PEDALS SYSTEM | 24 - 25 |
| ASSY SPEED LIMITING | 26 - 27 |
| ELECTRIC BOX ASSY | 28 - 29 |
| ASSY CONTROL PANEL AND REALYS | 30 - 31 |
| ASSY REAR COVER | 32 - 33 |
| ELECTRIC MOTOR ASSY | 34 - 35 |
| ASSY HYDRAULIC PLANT | 36 - 41 |
| HYDRAULIC PLANT - DRIVE MOTOR SCHEME | 42 - 43 |
| HYDRAULIC PLANT - STEERING SCHEME | 44 - 45 |
| HYDRAULIC PLANT - FLAP AND HOPPER SCHEME | 46 - 47 |
| HYDRAULIC PLANT - SIDE BROOM SCHEME | 48 - 49 |
| ACCESSORIES | 50 - 59 |
| WIRING DIAGRAM | 60 - 63 |
| HYDRAULIC DIAGRAM | 64 - 65 |
| RECOMMENDED SPARE PARTS | 66 |
| OPTIONALS | 67 |

WHEN ORDERING PARTS

- * Use the part numbers from the "Ref. No." columns in this parts list.
- * Specify the model and serial number of the machine.
- * Use the space below to record the model and serial number for future reference.

Model

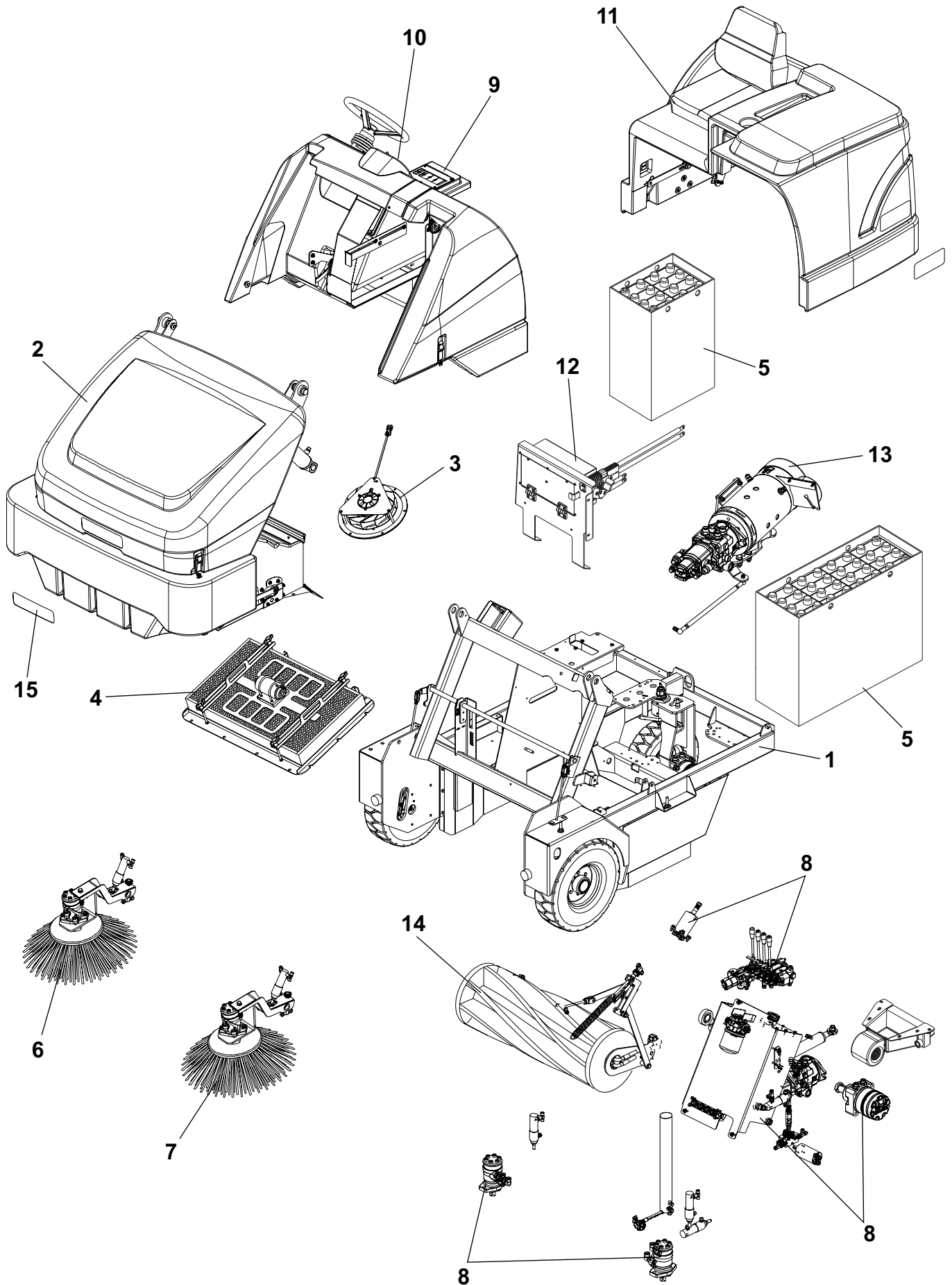
Serial No.

* = Optional

= Modified item No. or New item No.

[] = Not shown

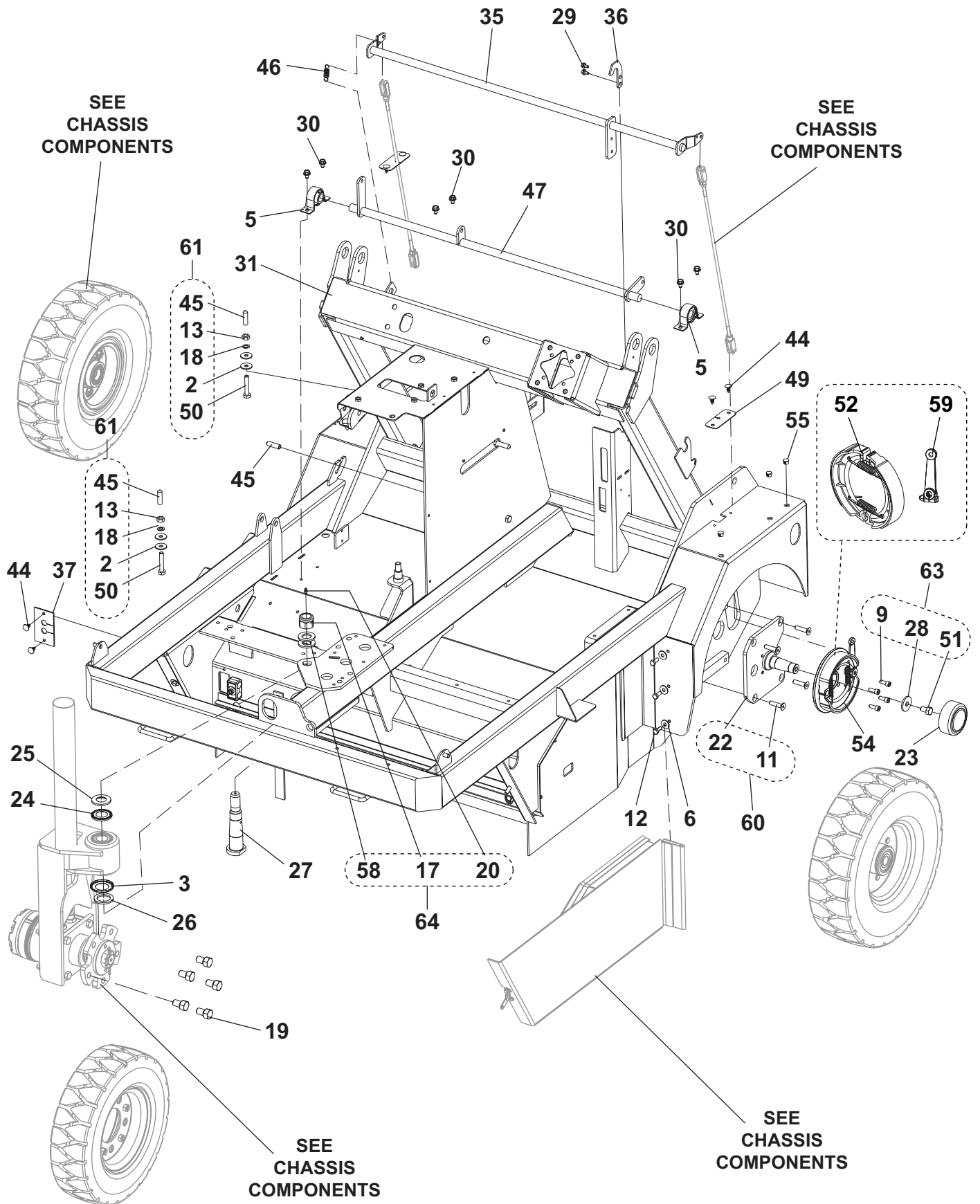
GENERAL VIEW



GENERAL VIEW

| ITEM | REF. NO. | QTY | DESCRIPTION |
|--------------|-----------------|----------|--|
| 1 | | 1 | CHASSIS ASSEMBLY |
| 2 | | 1 | HOPPER SYSTEM |
| 3 | | 1 | VAC FAN ASSY |
| 4 | | 1 | PANEL ASSY |
| 5* | 80562010 | 1 | BATTERY TRACTION 48 V 375 A (BAT) |
| 6 | | 1 | RIGHT SIDE BROOM ASSY |
| 7 | | 1 | LEFT SIDE BROOM ASSY (OPTIONAL) |
| 8 | | 1 | HYDRAULIC PLANT ASSY |
| 9 | | 1 | CONTROL ASSY |
| 10 | | 1 | CONTROL PANEL AND RELAYS ASSY |
| 11 | | 1 | REAR COVER ASSY |
| 12 | | 1 | ELECTRIC BOX ASSY |
| 13 | | 1 | ELECTRIC MOTOR ASSY |
| 14 | | 1 | MAIN BROOM SYSTEM |
| 15 | 33020133 | 1 | LABELS KIT PROTERRA™ |
| [16]* | 80562030 | 1 | BATTERY CHARGER 48V 50Ah |

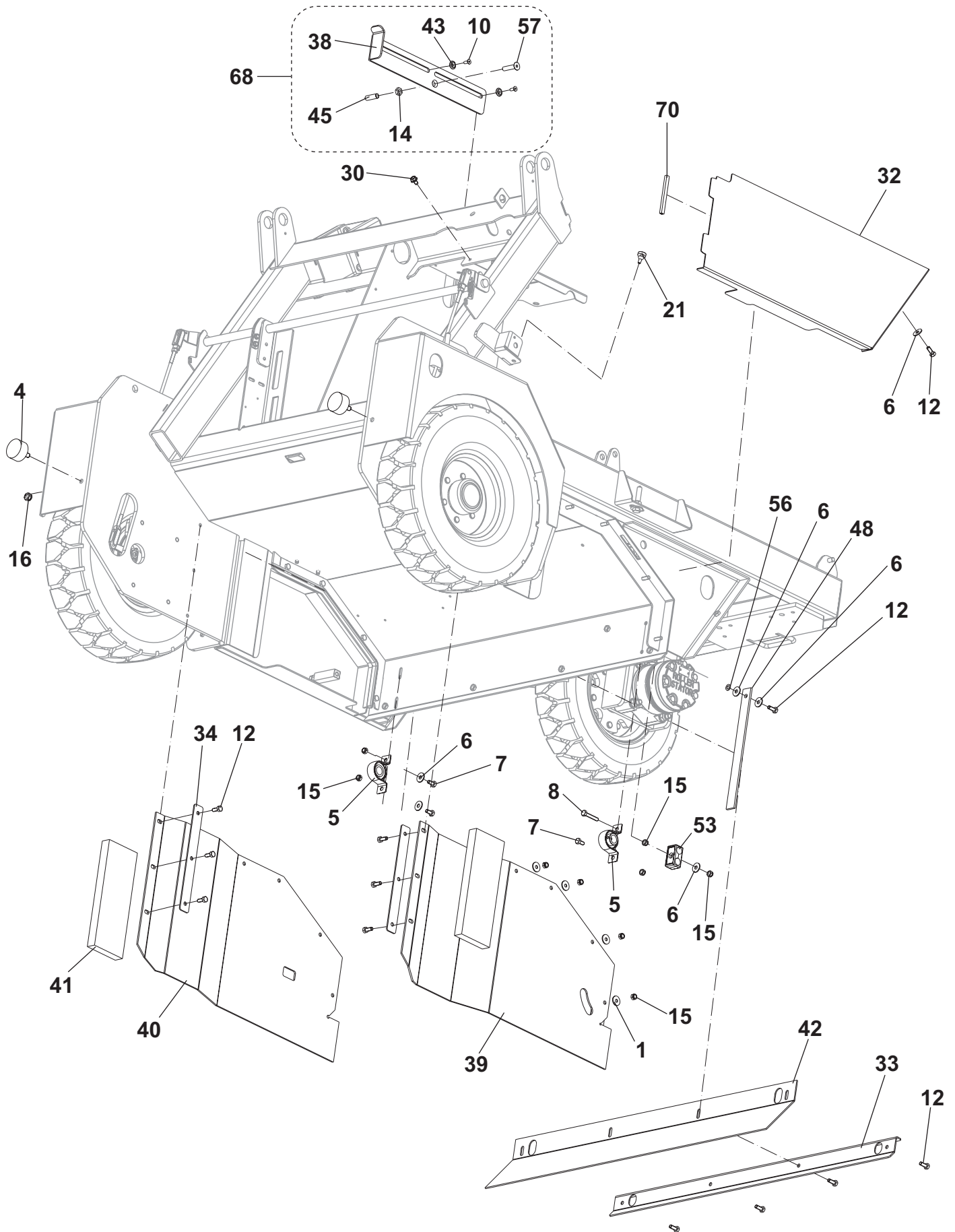
CHASSIS ASSEMBLY



CHASSIS ASSEMBLY

| ITEM | REF. NO. | QTY | DESCRIPTION |
|------|----------|-----|--------------------------------------|
| 1 | | 4 | WASHER 8X24 UNI6592 |
| 2 | | 4 | WASHER 10X30 UNI6592 |
| 3 | 33003125 | 1 | RING NILOS AV |
| 4 | 33003129 | 2 | VIBRATION -DAMPING |
| 5 | 33003201 | 4 | SUPPORT SBPP 204 |
| 6 | | 9 | WASHER 8X24 UNI6593 |
| 7 | | 3 | SCREW M8X16 UNI5739 |
| 8 | | 1 | SCREW M8X45 UNI5739 |
| 9 | | 8 | SCREW M8X20 UNI5931 |
| 10 | | 2 | SCREW M6X16 UNI5933 |
| 11 | | 8 | SCREW M10X40 UNI5933 |
| 12 | | 15 | SCREW M8X20 UNI5739 |
| 13 | | 2 | NUT HEX M10 UNI5588 |
| 14 | | 1 | NUT HEX M10 UNI5589 |
| 15 | | 9 | NUT SELF L. M8 UNI7474 |
| 16 | | 2 | NUT SELF L. M10 UNI7474 |
| 17 | | 1 | NUT SELF L. M24X2 UNI7474 |
| 18 | | 2 | WASHER M10 UNI8842A |
| 19 | | 5 | STUD BOLT M 16X1.5 |
| 20 | | 1 | LUBRICATOR M6 |
| 21 | 33009812 | 1 | PLUG |
| 22 | | 2 | SPINDLE |
| 23 | 33016904 | 2 | CAP |
| 24 | 33016909 | 1 | RING NILOS AV |
| 25 | 33016910 | 1 | WASHER UPPER |
| 26 | 33016911 | 1 | WASHER LOWER |
| 27 | 33016912 | 1 | PIN DRIVE YOKE PIVOT |
| 28 | | 2 | WASHER 12X40X4 |
| 29 | | 2 | SCREW THREAD ROLLING M6X12 |
| 30 | | 10 | SCREW THREAD ROLLING M8X12 |
| 31 | 33017292 | 1 | CHASSIS WELDED BATTERY |
| 32 | 33017057 | 1 | DOOR LEFT WELDED |
| 33 | | 1 | PLATE REAR SEAL |
| 34 | | 2 | PLATE SIDE SEAL |
| 35 | 33017113 | 1 | BAR JOINT BRAKE |
| 36 | 33017114 | 1 | PLATE BAR JOINT BRAKE |
| 37 | 33017168 | 1 | FLAP BROOM CHAMBER HOSES |
| 38 | | 1 | HOPPER SAFETY STOP |
| 39 | 33017171 | 1 | FLAP SIDE |
| 40 | 33017172 | 1 | FLAP SIDE |
| 41 | 33017173 | 2 | FOAM HOPPER SIDE |
| 42 | 33017174 | 1 | FLAP REAR BROOM |
| 43 | | 2 | BUSH |
| 44 | | 6 | RIVET PLASTIC |
| 45 | | 4 | CAP VINYL |
| 46 | 33017199 | 1 | SPRING |
| 47 | 33017220 | 1 | LINKAGE WELDED THROTTLE |
| 48 | 33017262 | 1 | STATIC STRAP |
| 49 | 33017266 | 2 | FLAP WHEEL WELL TOP |
| 50 | | 2 | SCREW M10X55 UNI5739 |
| 51 | | 2 | SCREW M12X20 UNI5739 |
| 52 | 33020206 | 2 | BRAKE LINING AND SPRING ASSY |
| 53 | 33018539 | 1 | COLLAR DOUBLE D.18 |
| 54 | 33020204 | 2 | DRUM BRAKE ASSY |
| 54 | 33020205 | 2 | DRUM BRAKE KIT |
| 55 | | 3 | PLUG BLACK |
| 56 | | 1 | WASHER |
| 57 | | 1 | SCREW M10X45 UNI5933 |
| 58 | | 2 | WASHER M24 UNI6592 |
| 59 | 33022785 | 2 | LEVER BRAKE |
| 60 | 33018790 | 1 | SUPPORT FRONT WHEEL KIT (ITEM 22-11) |

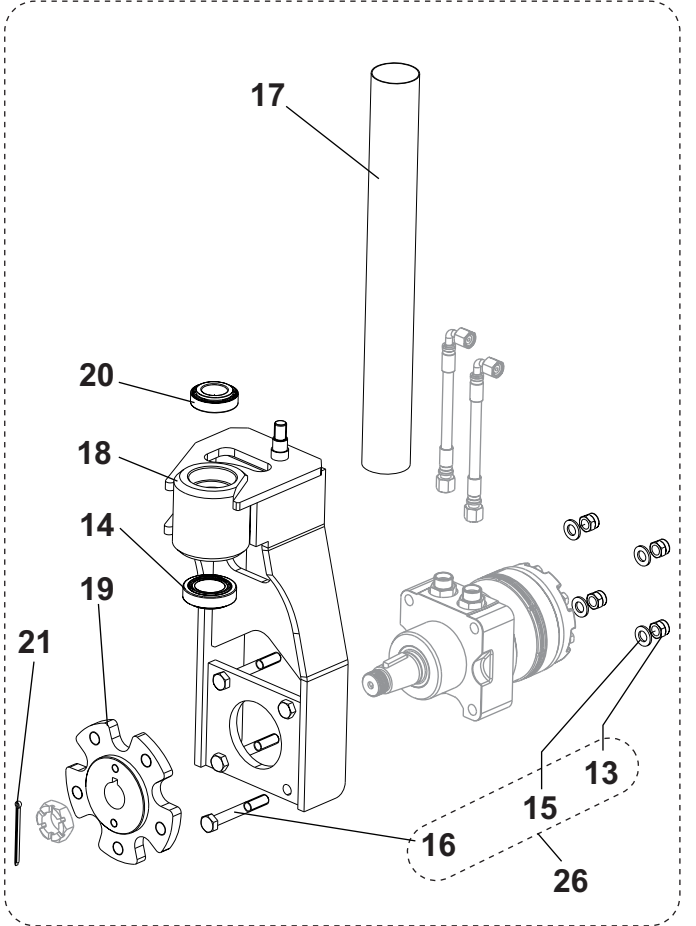
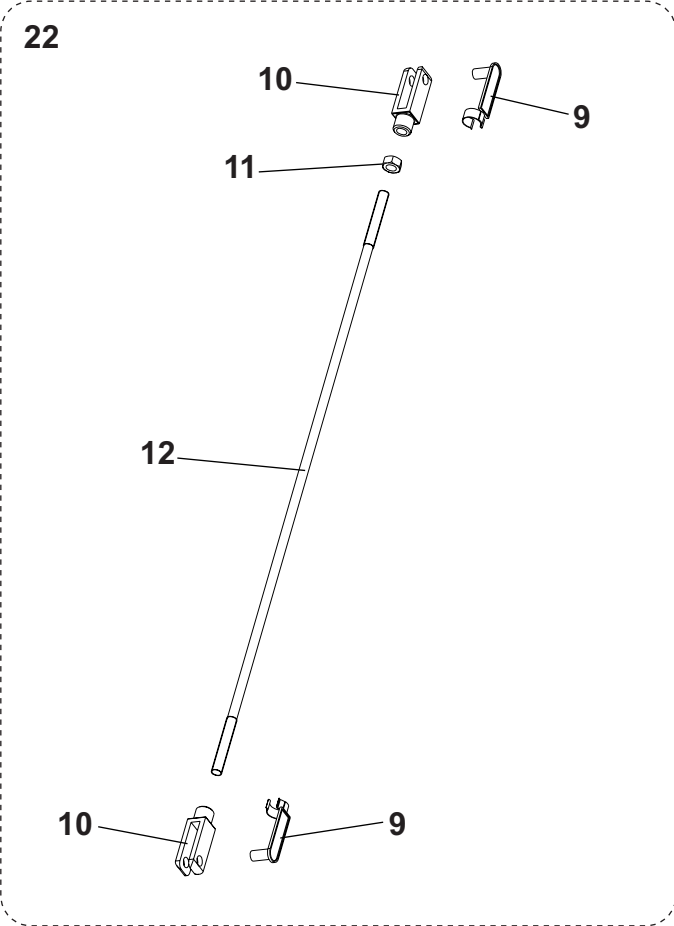
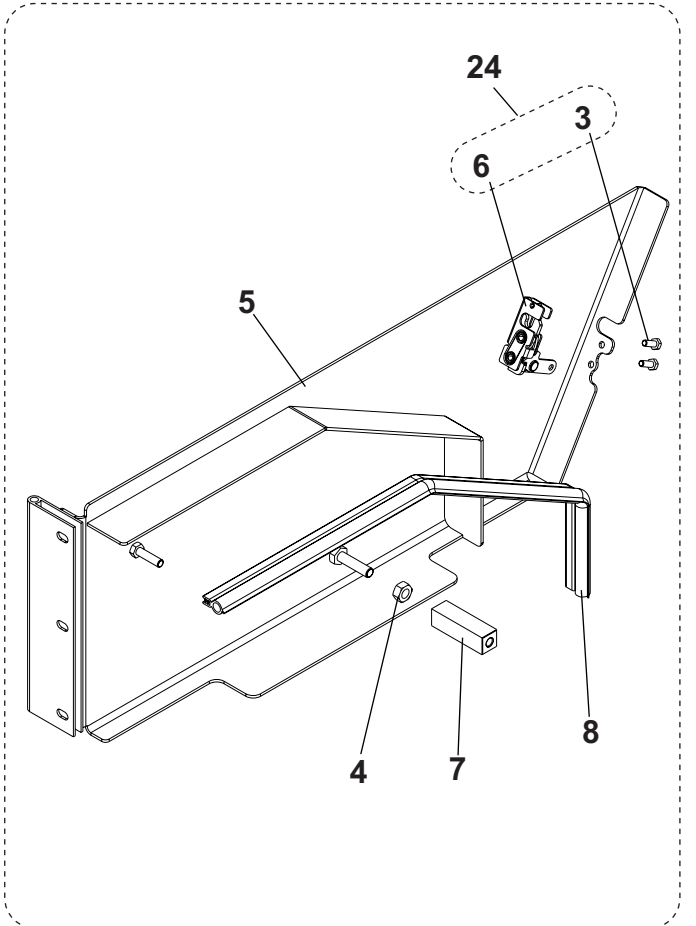
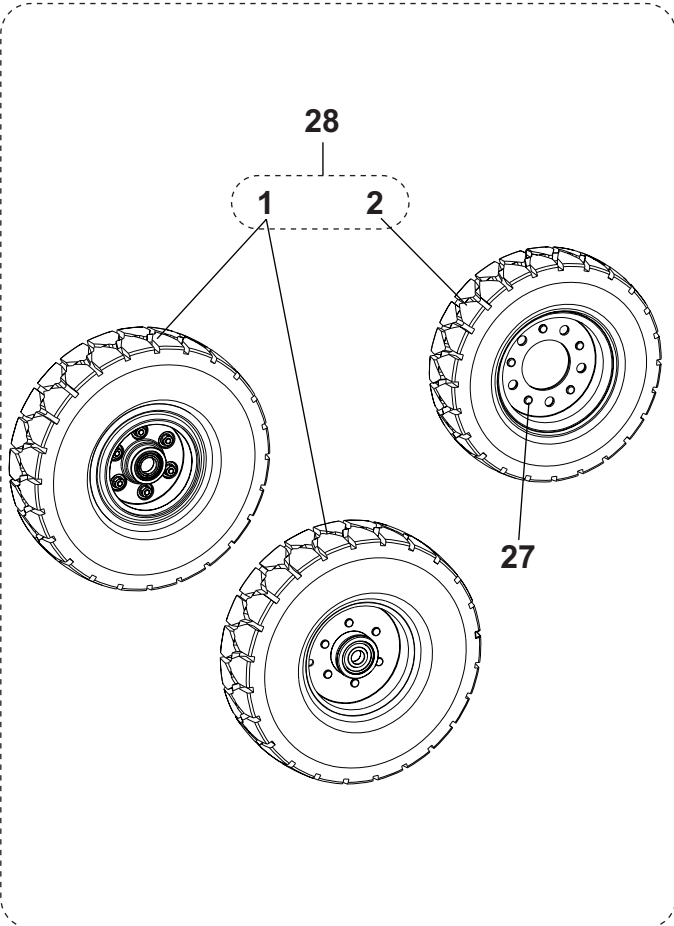
CHASSIS ASSEMBLY



CHASSIS ASSEMBLY

| ITEM | REF. NO. | QTY | DESCRIPTION |
|------|----------|-----|---|
| 61 | 33020409 | 1 | CENTRING HARDWARE KIT (ITEM 5 ITEM 0-45-18-13-2) |
| [62] | 33020410 | 1 | BRAKE ROD HARDWARE KIT (ITEM 29-44) |
| 63 | 33020411 | 1 | FRONT WHEELS SUPPORT HARDWARE KIT (ITEM 9-28-51) |
| 64 | 33020412 | 1 | REAR WHEEL PIN HARDWARE KIT (ITEM 58-20-17) |
| [65] | 33020332 | 1 | CHASSIS HARDWARE KIT (ITEM 3-13-16 SEE PAGE 9 / 51-50-58-55-45-44-29-28-20-19-18-17-13-12-11-9-6-2) |
| [66] | 33018791 | 1 | FIXING GASKETS KIT (ITEM 12-33-34-1-15) |
| [67] | 33020333 | 1 | FLAP HARDWARE KIT (ITEM 16-6-12-15-1) |
| 68 | 33019212 | 1 | HOPPER STOP KIT (ITEM 57-45-43-38-14-10) |
| [69] | 33018866 | 1 | SUPPORT BEARING KIT (ITEM 5-15-8-7-6) |
| 70 | 33021180 | 1 | SEAL EDGE PROTECTOR KIT |

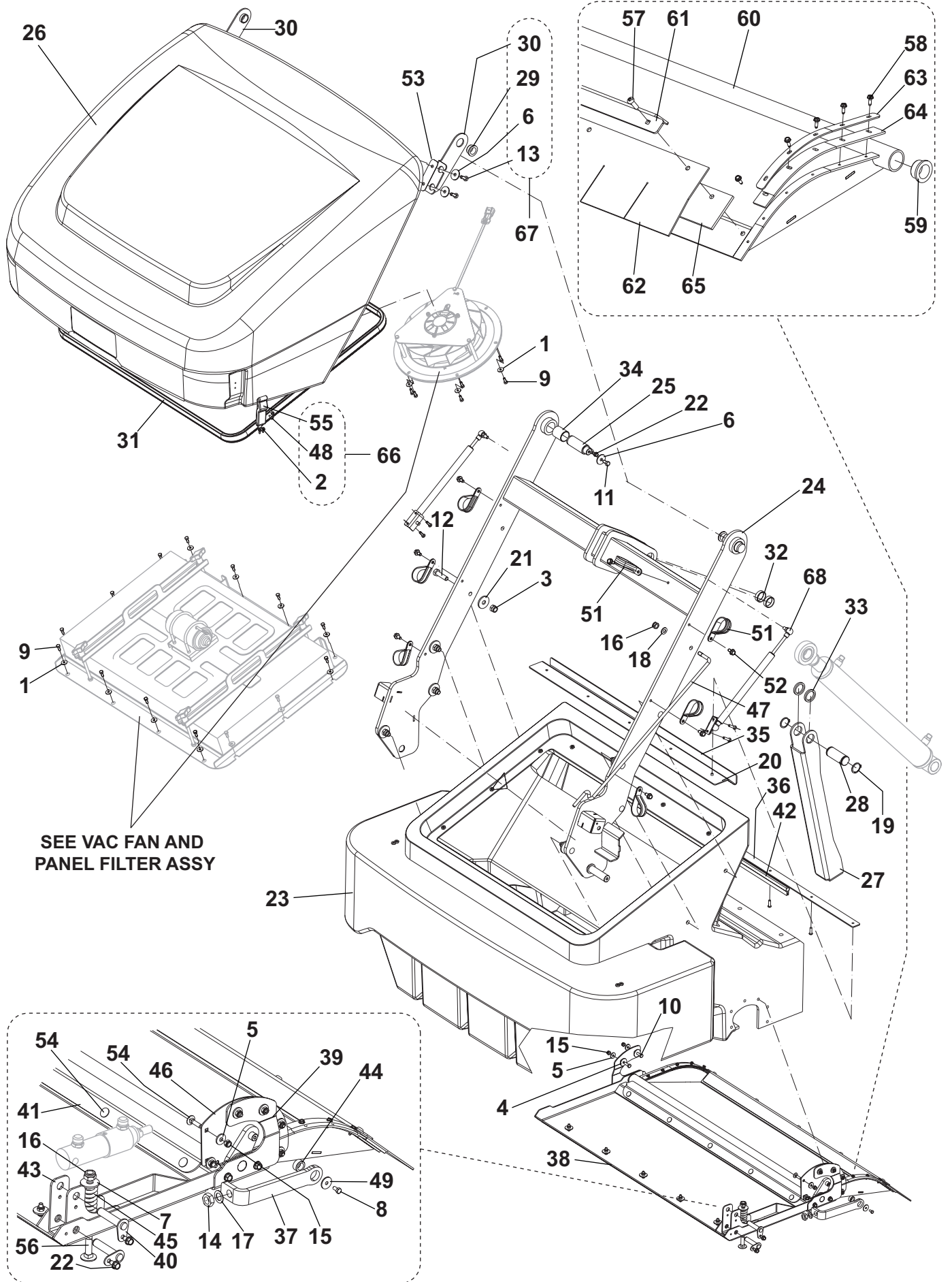
CHASSIS COMPONENTS



CHASSIS COMPONENTS

| | ITEM | REF. NO. | QTY | DESCRIPTION |
|---|------|--------------|-----|---|
| | 1 | 33022519 | 2 | WHEELS SUPERELASTIC 5.00/8 KIT |
| # | 2 | 33023124 | 1 | WHEEL SUPERELASTIC GUMASOL 4.00/8 PKD |
| | 3 | | 2 | SCREW M6X16 UNI5739 |
| | 4 | | 1 | NUT HEX M10 UNI5588 |
| # | 5 | 33019101 | 1 | HATCH RIGHT KIT (INCLUDED ITEM 12-6 PAG 5) |
| | 6 | | 1 | LATCH SLAM |
| | 7 | 33017128 | 1 | STOP BROOM ARM |
| | 8 | 33017129 | 1 | STOP BROOM ARM |
| | 9 | | 4 | CLIPS M8 |
| | 10 | | 4 | FORK M8 |
| | 11 | | 2 | NUT HEX M8 UNI5588 |
| | 12 | | 2 | ROD |
| | 13 | | 4 | NUT SELF L. M12 UNI7473 |
| | 14 | 33003175 | 1 | BEARING 32007 |
| | 15 | | 4 | WASHER M12 UNI6592 |
| | 16 | | 4 | SCREW M12X90 UNI5737 |
| | 17 | 33015544 | 1 | SHEATH 90 D56 L 700 |
| # | 18 | 33018792 | 1 | SUPPORT REAR WHEEL KIT (ITEM 13-15-16-21) |
| | 19 | 33017103 | 1 | HUB REAR WHEEL |
| | 20 | 145 4691 000 | 1 | BEARING 32006 |
| | 21 | | 1 | PIN COTTER |
| | 22 | 33018794 | 1 | CONNECTION BRAKE KIT (ITEM 9-10-11-12) |
| | 24 | 33018796 | 1 | CLOSING HATCH RIGHT SIDE KIT (ITEM 3-6) |
| | 26 | 33020413 | 1 | REAR WHEEL HARDWARE KIT (ITEM 19 PAG 5 -13-15-16) |
| | 27 | 33022431 | 5 | STUD BOLT M 10X25 COMPLETE |
| # | 28 | 33023020 | 1 | WHEEL SOLID KIT |

HOPPER SYSTEM

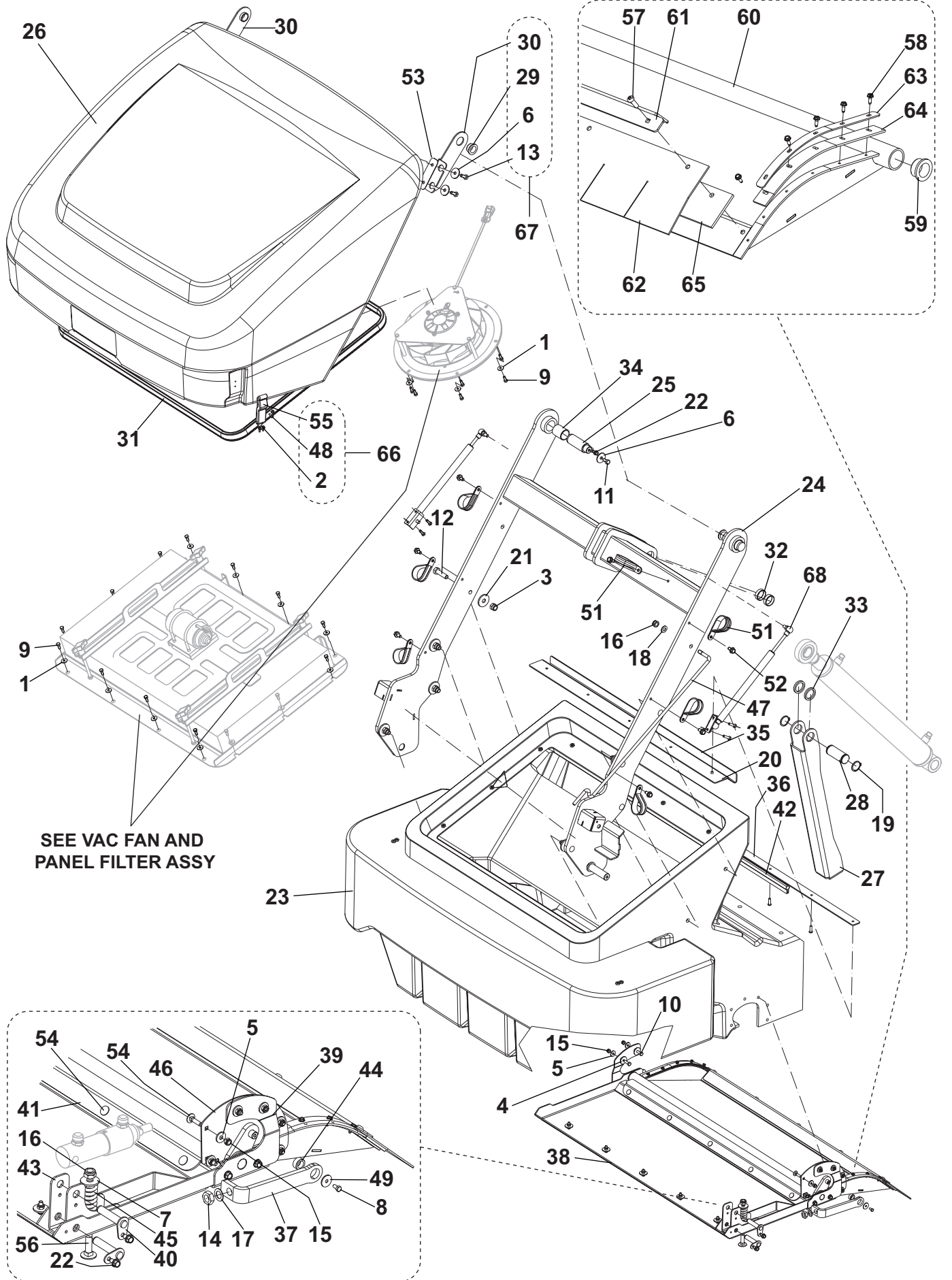


SEE VAC FAN AND
PANEL FILTER ASSY

HOPPER SYSTEM

| | ITEM | REF. NO. | QTY | DESCRIPTION |
|---|------|----------|-----|---------------------------|
| | 1 | | 20 | WASHER 6X18 UNI6592 |
| | 2 | | 4 | SCREW M4X12 UNI7687 |
| | 3 | | 8 | NUT SELF L. M12 UNI7473 |
| | 4 | | 7 | WASHER 6X24 UNI6593 |
| | 5 | | 13 | WASHER 6X18 UNI6593 |
| | 6 | | 6 | WASHER 8X32 UNI6593 |
| | 7 | | 1 | WASHER 10X30 UNI6593 |
| | 8 | | 1 | SCREW M5X10 UNI5739 |
| | 9 | | 20 | SCREW M6X16 UNI5739 |
| | 10 | | 2 | SCREW M6X20 UNI5739 |
| | 11 | | 2 | SCREW M8X16 UNI5739 |
| | 12 | | 8 | SCREW M12X45 UNI5739 |
| | 13 | | 4 | SCREW M8X20 UNI5739 |
| | 14 | | 1 | NUT HEX M12 UNI5589 |
| | 15 | | 18 | NUT SELF L. M6 UNI7474 |
| | 16 | | 2 | NUT SELF L. M10 UNI7474 |
| | 17 | | 1 | WASHER M12 UNI8842A |
| | 18 | | 1 | WASHER M10 UNI6592 |
| | 19 | | 2 | RING D 30 UNI7435 |
| | 20 | | 5 | SCREW M6X20 ISO7380 |
| | 21 | | 8 | WASHER 12X40X4 |
| | 22 | | 8 | SCREW THREAD ROLLING |
| | 23 | 33017058 | 1 | HOPPER |
| | 24 | 33017059 | 1 | ARM HOPPER |
| | 25 | 33017060 | 2 | PIN HOPPER PIVOT |
| | 26 | 33017061 | 1 | COVER HOPPER MOLDED |
| | 27 | 33017108 | 1 | BAR SECURITY |
| | 28 | | 1 | PIN SECURITY BAR |
| | 29 | | 2 | BUSH |
| | 30 | | 2 | BRACKET HOPPER COVER |
| | 31 | 33017126 | 1 | SEAL HOPPER COVER L 2930 |
| | 32 | | 2 | BUSH |
| | 33 | | 2 | SPACER |
| | 34 | | 2 | BUSH |
| | 35 | | 1 | PLATE HOPPER TOP |
| | 36 | | 1 | STRAP DOOR PIVOT FLAP |
| | 37 | 33017137 | 1 | ARM FLAP |
| | 38 | 33017138 | 1 | PLATE HOPPER BUTTOM |
| | 39 | 33017139 | 2 | PIN HOPPER DOOR |
| | 40 | 33017146 | 2 | PIN |
| | 41 | 33017229 | 1 | PLATE HOPPER FLAP |
| | 42 | 33017257 | 1 | TRIM EDGE BULB L 900MM |
| | 43 | | 1 | CYLINDER BRAKET |
| | 44 | | 1 | BEARING |
| | 45 | 33017287 | 1 | SPRING |
| | 46 | 33017288 | 1 | PLATE W/BOLTS |
| | 47 | | 1 | ROD COVER PROP |
| | 48 | | 4 | SCREW 4.8X16 UNI6954 |
| | 49 | | 1 | WASHER FLAT XL |
| | 51 | | 7 | CLAMP HOSE D.45 |
| | 52 | | 7 | SCREW THREAD ROLLING |
| | 53 | 33020011 | 2 | PLATE OF CONTRAST |
| | 54 | | 13 | SCREW M6X25 UNI5731 |
| | 55 | | 2 | LATCH |
| | 56 | | 1 | SCREW M10X60 UNI5731 |
| | 57 | | 5 | SCREW M6X20 ISO7380 |
| | 58 | | 10 | SCREW THREAD ROLLING |
| | 59 | 33017116 | 2 | BUSH |
| # | 60 | 33023168 | 1 | HATCH WASTE CONTAINER PKD |
| | 61 | 33017201 | 1 | SKIRT STRAP DOOR |
| | 62 | 33017202 | 1 | SKIRT REAR DOOR |

HOPPER SYSTEM

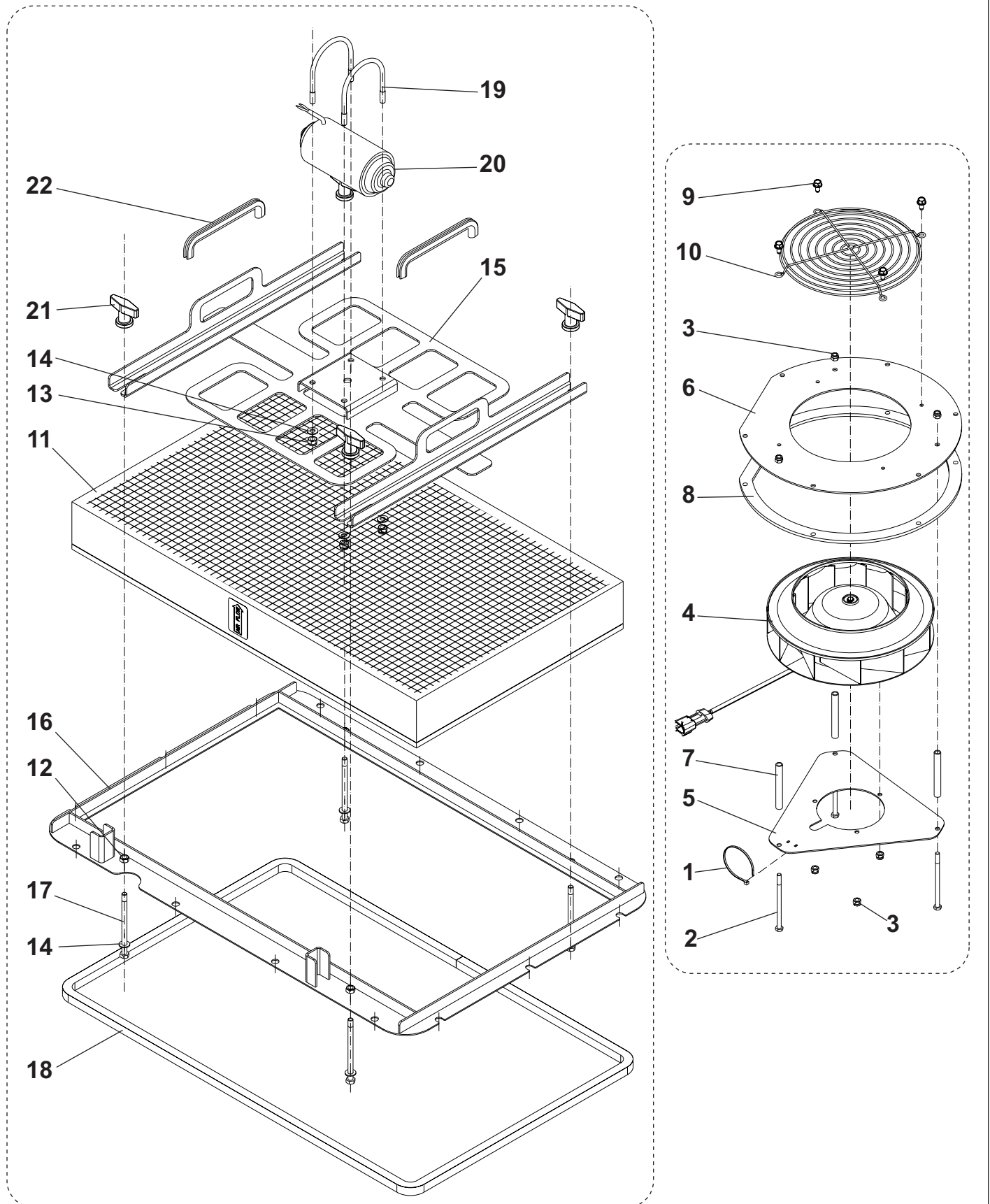


SEE VAC FAN AND
PANEL FILTER ASSY

HOPPER SYSTEM

| | ITEM | REF. NO. | QTY | DESCRIPTION |
|---|--------------|-----------------|----------|---|
| | 63 | 33017240 | 2 | STRAP DOOR SIDE SKIRT |
| | 64 | 33017241 | 2 | SKIRT DOOR SIDE |
| | 65 | | 1 | GASKET HOPPER DOOR |
| | 66 | 33018803 | 1 | LATCH KIT (ITEM 55-2-48) |
| | 67 | 33019115 | 1 | HINGES BONNET KIT (ITEM 13-6-29-30) |
| | [68]* | 33021975 | 1 | GAS SPRING KIT |
| | | 33021977 | 1 | INSTRUCTIONS ASSEMBLY |
| | [69] | 33017366 | 1 | HARNESS HOPPER |
| | [70] | 33019116 | 1 | CLAMPS HOSES FIXING KIT (ITEM 50-51-52) |
| | [71] | 33018799 | 1 | PLATE CONTAINER KIT (ITEM 35-36-20) |
| | [72] | 33018800 | 1 | MECHANISM LIFTING KIT (ITEM 7-49-8-14-16-22-37-40-43-44-45-56-17) |
| # | [73] | 33023167 | 1 | SKIRT HATCH CONTAINER KIT (ITEM 15-58-59-54-61-62-63-64) |
| | [74] | 33019117 | 1 | GASKETS HATCH KIT (ITEM 64-62-65) |
| | [75] | 33020414 | 1 | HOPPER BOTTOM HARDWARE KIT (ITEM 9-17-15-12-10-5-4-29) |
| | [76] | 33020415 | 1 | HARDWARE SUPPORT KIT (ITEM-3-9-13-20-19-29) |
| | [77] | 33020334 | 1 | HOPPER HARDWARE KIT (ITEM 1-29-20-19-17-15-13-12-10-9-5-4-3) |
| | [78] | 33018798 | 1 | HARDWARE LIFTING CONTAINER (ITEM 6-22-25-34-33-32-19-11) |
| | [79] | 33018801 | 1 | FIXING ROD CONTAINER (ITEM 47-16-18) |

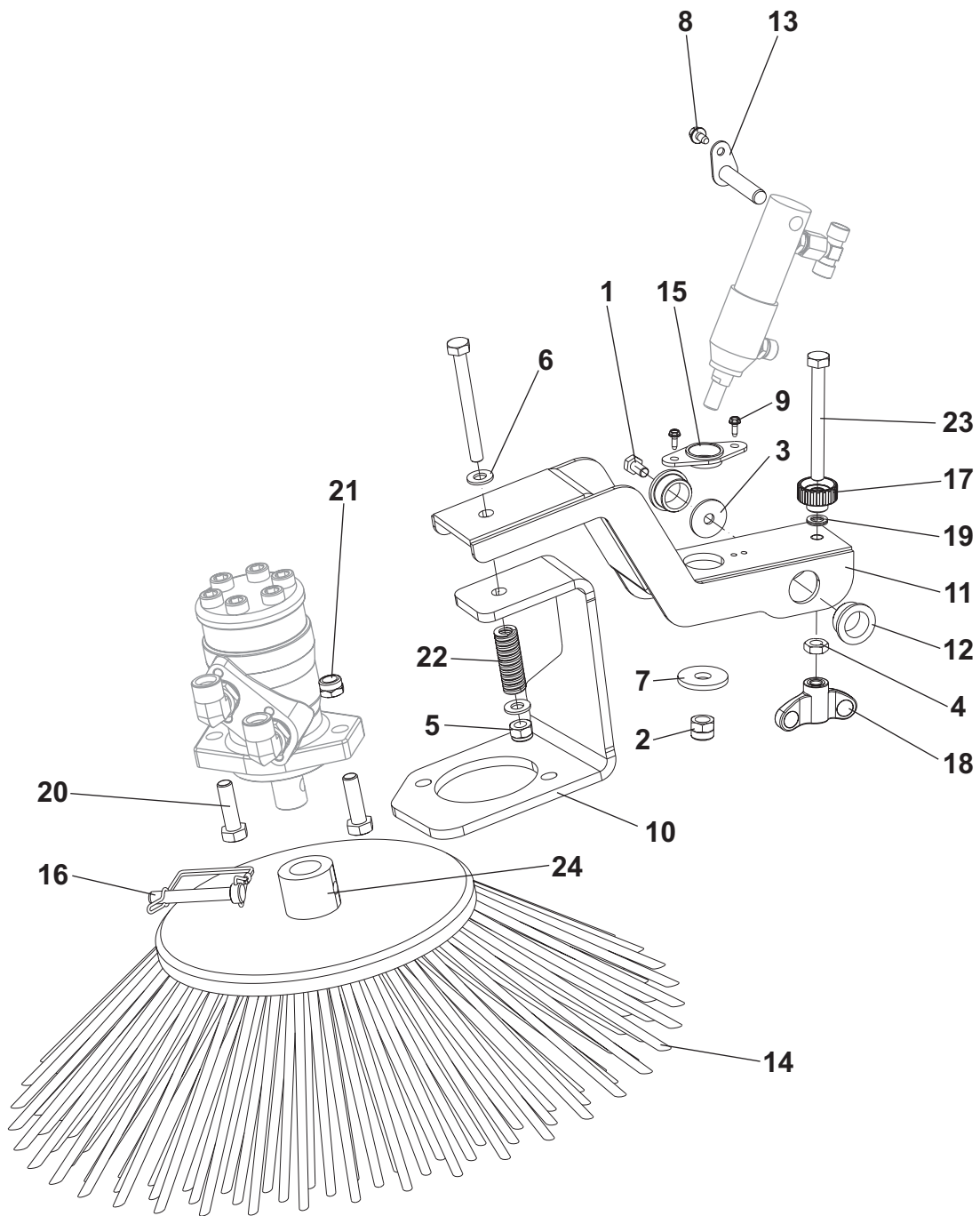
VAC FAN AND PANEL FILTER ASSY



VAC FAN AND PANEL FILTER ASSY

| ITEM | REF. NO. | QTY | DESCRIPTION |
|------------|-----------------|----------|---|
| 1 | | 1 | CABLE TIE |
| 2 | | 3 | SCREW M6X100 UNI5737 |
| 3 | | 6 | NUT SELF L. M6 UNI7473 |
| 4 | 33015700 | 1 | FAN MOTOR VACUUM 48V (M1) |
| 5 | | 1 | SUPPORT |
| 6 | | 1 | SUPPORT |
| 7 | | 3 | SPACER |
| 8 | 33016950 | 1 | GASKET |
| 9 | | 4 | SCREW THREAD ROLLING |
| 10 | | 1 | GRILL |
| 11 | 8-24-04139-1 | 1 | PANEL FILTER |
| 11* | 56382789 | 1 | PANEL FILTER WATER RESISTENT |
| 12 | | 4 | NUT SELF L. 5/16"UNC |
| 13 | | 4 | NUT SELF L. M8 UNI7473 |
| 14 | | 8 | WASHER M8 UNI6592 |
| 15 | 33017118 | 1 | PLATE LOCK SHAKER |
| 16 | 33017119 | 1 | FRAME PANEL FILTER |
| 17 | | 4 | SCREW 5/16"X4,5" UNC |
| 18 | 33018634 | 1 | GASKET FILTER ASSY L 2560 |
| 19 | | 2 | CLAMP |
| 20 | 33017232 | 1 | MOTOR FILTER SHAKER 48V (M2) |
| 21 | 9098257000 | 4 | NUT THUMB SQUEEGEE FIXING |
| 22 | 33021181 | 2 | SEAL EDGE PROTECTOR KIT |
| [23] | 33018804 | 1 | FIXING ELECTROFAN KIT (ITEM 1-2-3-5-6-7) |
| [24] | 33018805 | 1 | GRILL ELECTROFAN KIT (ITEM 9-10) |
| [25] | 33020335 | 1 | PANEL FILTER HARDWARE KIT (ITEM 19-17-14-13-12) |
| [26] | 33019259 | 1 | ANTISTATIC KIT - TSB IT 2010-046 |
| | 33019261 | 1 | INSTRUCTIONS ASSEMBLY |

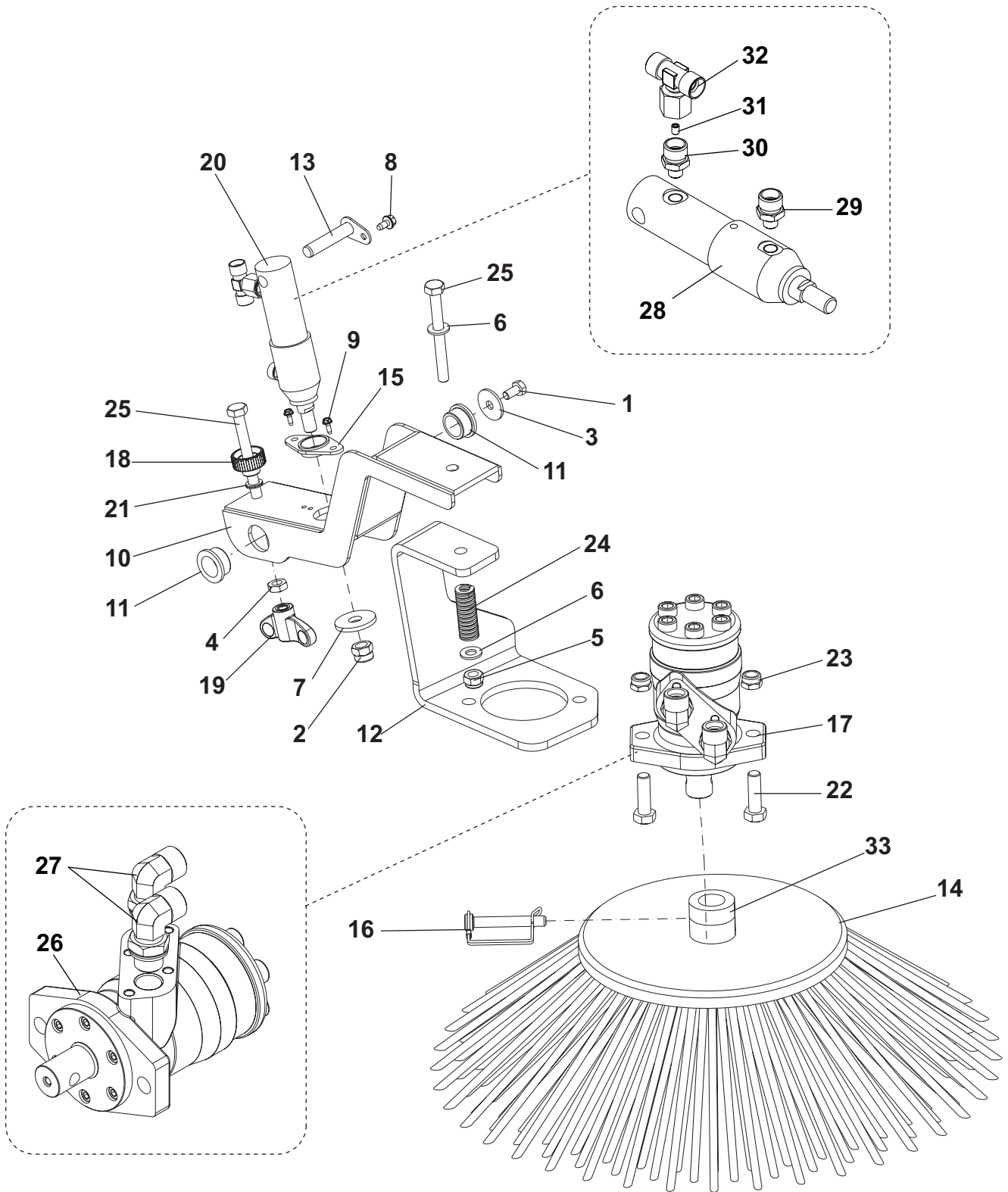
RT SIDE BROOM ASSY



RT SIDE BROOM ASSY

| ITEM | REF. NO. | QTY | DESCRIPTION |
|------|--------------|-----|---|
| 1 | | 1 | SCREW M8X16 UNI5739 |
| 2 | | 1 | NUT SELF L. M12 UNI7473 |
| 3 | | 1 | WASHER 8X32 UNI6593 |
| 4 | | 1 | NUT HEX M10 UNI5589 |
| 5 | | 1 | NUT SELF L. M10 UNI7473 |
| 6 | | 2 | WASHER M10 UNI6592 |
| 7 | | 1 | WASHER 12X40X4 |
| 8 | | 1 | SCREW THREAD ROLLING |
| 9 | | 2 | SCREW THREAD ROLLING |
| 10 | 33017107 | 1 | SUPPORT RIGHT SIDE MOTOR |
| 11 | 33017115 | 1 | ARM SIDE BROOM |
| 12 | | 2 | BUSH |
| 13 | | 1 | PIN |
| 14 | 33021313 | 1 | SIDE BROOM ATLANTIS PPL |
| 14 | 33017255 | 1 | BROOM SIDE PPL 1,4-1,7 |
| 14* | 33018889 | 1 | BROOM SIDE PPL 1,5/STEEL |
| 14* | 33018890 | 1 | BROOM SIDE NYLON 0,5 |
| 15 | | 1 | BUSHING SLIDE FLANGE |
| 16 | 33022876 | 1 | PIN CLEVIS W/LOOP 8MM |
| 17 | 33017889 | 1 | KNOB M10 |
| 18 | 33018333 | 1 | NUT WING M10 |
| 19 | | 1 | WASHER NORD LOCK M10 |
| 20 | | 2 | SCREW M12X40 UNI5739 |
| 21 | | 2 | NUT SELF L. M12 UNI7474 |
| 22 | 146 1317 000 | 1 | SPRING |
| 23 | | 2 | SCREW M10X100 UNI5739 |
| 24 | 33020628 | 1 | HUB BROOM |
| [25] | 33020336 | 1 | SUPPORT HARDWARE KIT (ITEM 23-21-20-22-6-5-4) |
| [26] | 33020337 | 1 | SIDE BROOM CYLINDER HARDWARE KIT (ITEM 15-13-9-8-7-2) |
| [27] | 33020338 | 1 | SETTING SIDE BROOM HARDWARE KIT (ITEM 23-19-18-17-7-1-3-12) |

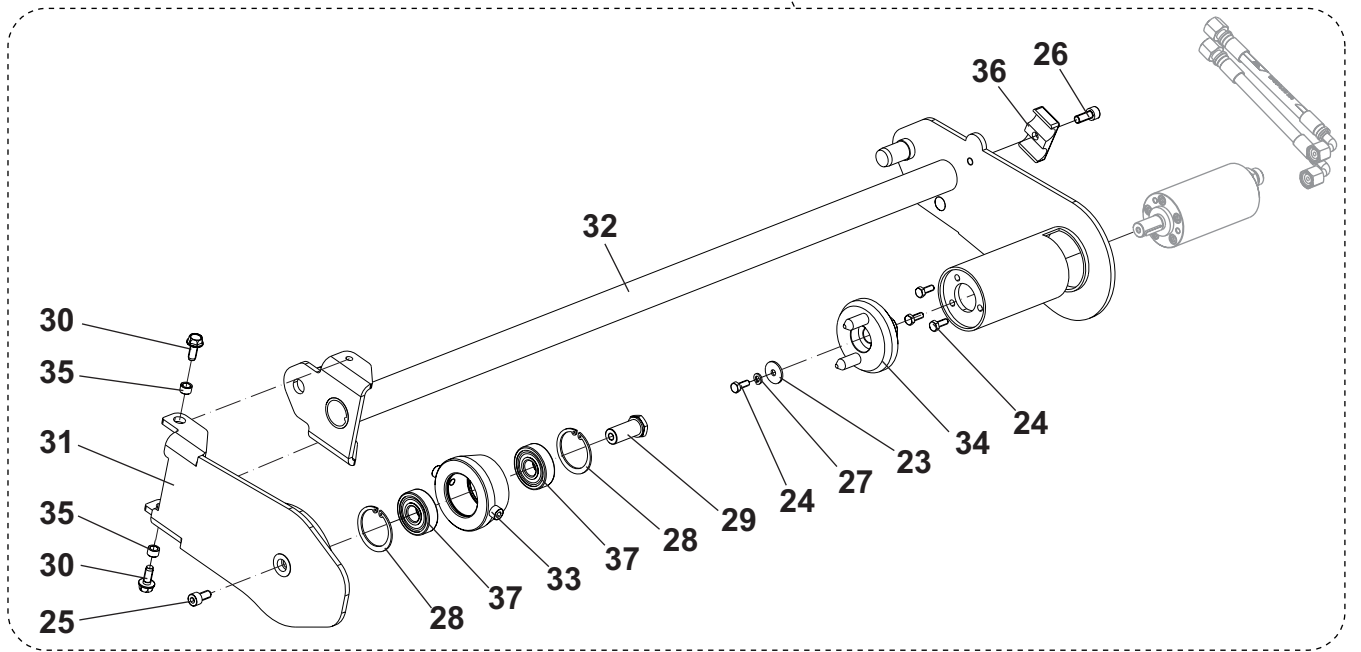
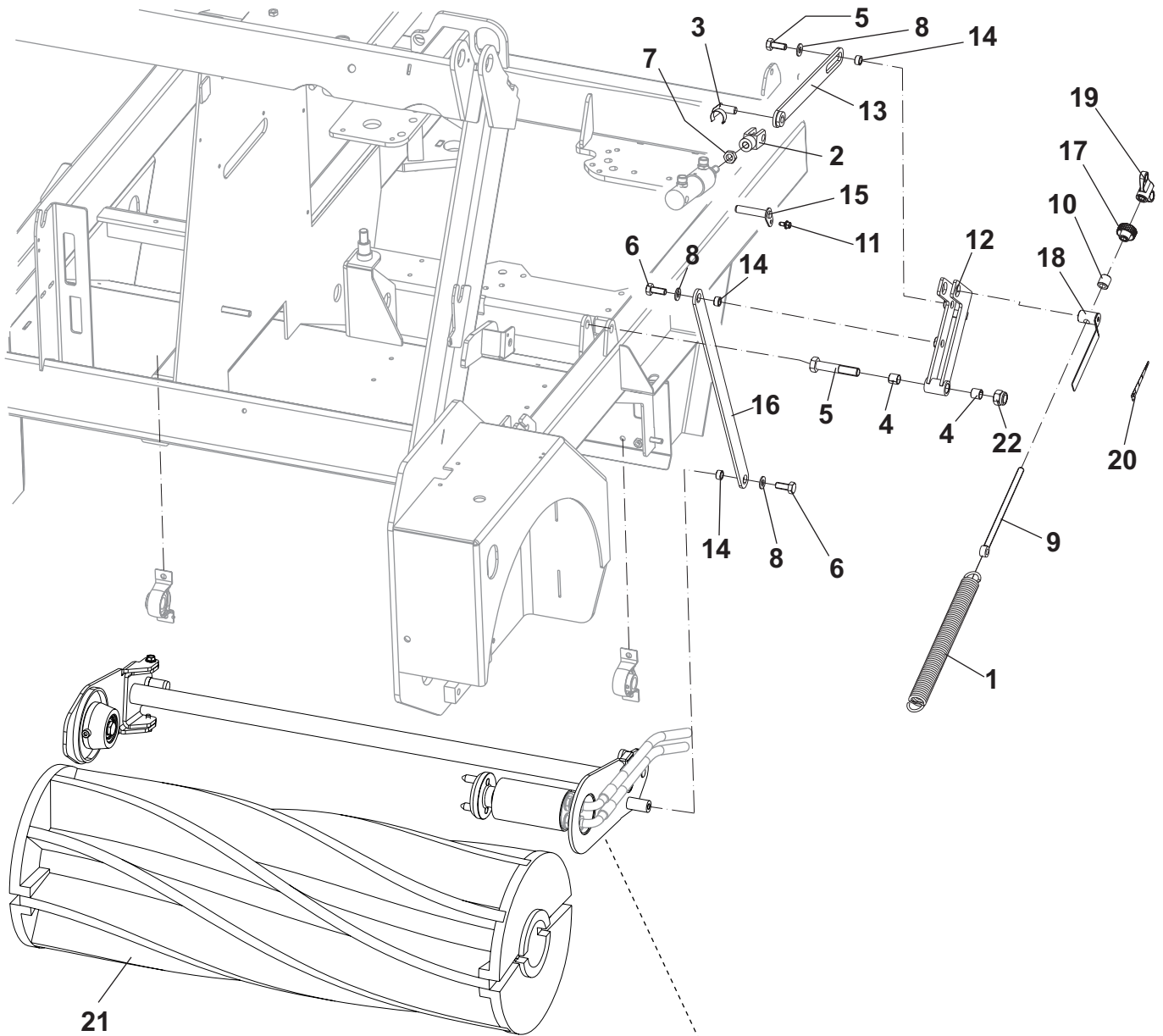
LT SIDE BROOM ASSY



LT SIDE BROOM ASSY

| ITEM | REF. NO. | QTY | DESCRIPTION | |
|-------|--------------|----------|--|-----------------------|
| 1 | | 1 | SCREW M8X16 UNI5739 | |
| 2 | | 1 | NUT SELF L. M12 UNI7473 | |
| 3 | | 1 | WASHER 8X32 UNI6593 | |
| 4 | | 1 | NUT HEX M10 UNI5589 | |
| 5 | | 1 | NUT SELF L. M10 UNI7473 | |
| 6 | | 2 | WASHER M10 UNI6592 | |
| 7 | | 1 | WASHER 12X40X4 | |
| 8 | | 1 | SCREW THREAD ROLLING | |
| 9 | | 2 | SCREW THREAD ROLLING | |
| 10 | 33017115 | 1 | ARM SIDE BROOM | |
| 11 | | 2 | BUSH | |
| 12 | 33017117 | 1 | SUPPORT LEFT SIDE MOTOR | |
| 13 | | 1 | PIN | |
| 14 | 33021313 | 1 | SIDE BROOM ATLANTIS PPL | |
| 14 | 33017255 | 1 | BROOM SIDE PPL 1,4-1,7 | |
| 14* | 33018889 | 1 | BROOM SIDE PPL 1,5/STEEL | |
| 14* | 33018890 | 1 | BROOM SIDE NYLON 0,5 | |
| 15 | | 1 | BUSHING SLIDE FLANGE | |
| 16 | 33022876 | 1 | PIN CLEVIS W/LOOP 8MM | |
| 17 | 33018807 | 1 | MOTOR SIDE BROOM KIT | |
| 18 | 33017889 | 1 | KNOB M10 | |
| 19 | 33018333 | 1 | NUT WING M10 | |
| 20 | 33021766 | 1 | LEFT SIDE BROOM CYLINDER KIT (ITEM 28-29-30-31-32) | |
| 21 | | 1 | WASHER NORD LOCK M10 | |
| 22 | | 2 | SCREW M12X40 UNI5739 | |
| 23 | | 2 | NUT SELF L. M12 UNI7474 | |
| 24 | 146 1317 000 | 1 | SPRING | |
| 25 | | 2 | SCREW M10X100 UNI5739 | |
| 26 | 33017003 | 1 | MOTOR SIDE BROOM | |
| * | 33020754 | 1 | GASKETS HYDRAULIC MOTOR SIDE BROOM | |
| 27 | 33015874 | 2 | ELBOW 90 M1/2 | |
| # | 28 | 33021255 | 1 | MICRO CYLINDER |
| # | * | 33022009 | 2 | GASKET MICRO CYLINDER |
| 29 | 33018375 | 1 | FITTINGS 1/8" | |
| 30 | 33018222 | 1 | FITTING 1/8 | |
| 31 | 33018215 | 1 | DOWEL M5X6 DIAM 0,5 | |
| 32 | 146 0507 000 | 1 | PIPE FITTING T D.10 | |
| 33 | 33020628 | 1 | HUB BROOM | |
| [34]* | 33019173 | 1 | LEFT SIDE BROOM KIT | |
| | 33018767 | 1 | INSTRUCTIONS ASSEMBLY | |
| [36] | 33020336 | 1 | SUPPORT HARDWARE KIT (ITEM 25-23-21-22-6-5-4) | |
| [37] | 33020337 | 1 | SIDE BROOM CYLINDER HARDWARE KIT (ITEM 15-13-9-8-7-2) | |
| [38] | 33020338 | 1 | SETTING SIDE BROOM HARDWARE KIT (ITEM 23-19-18-7-1-3-11) | |

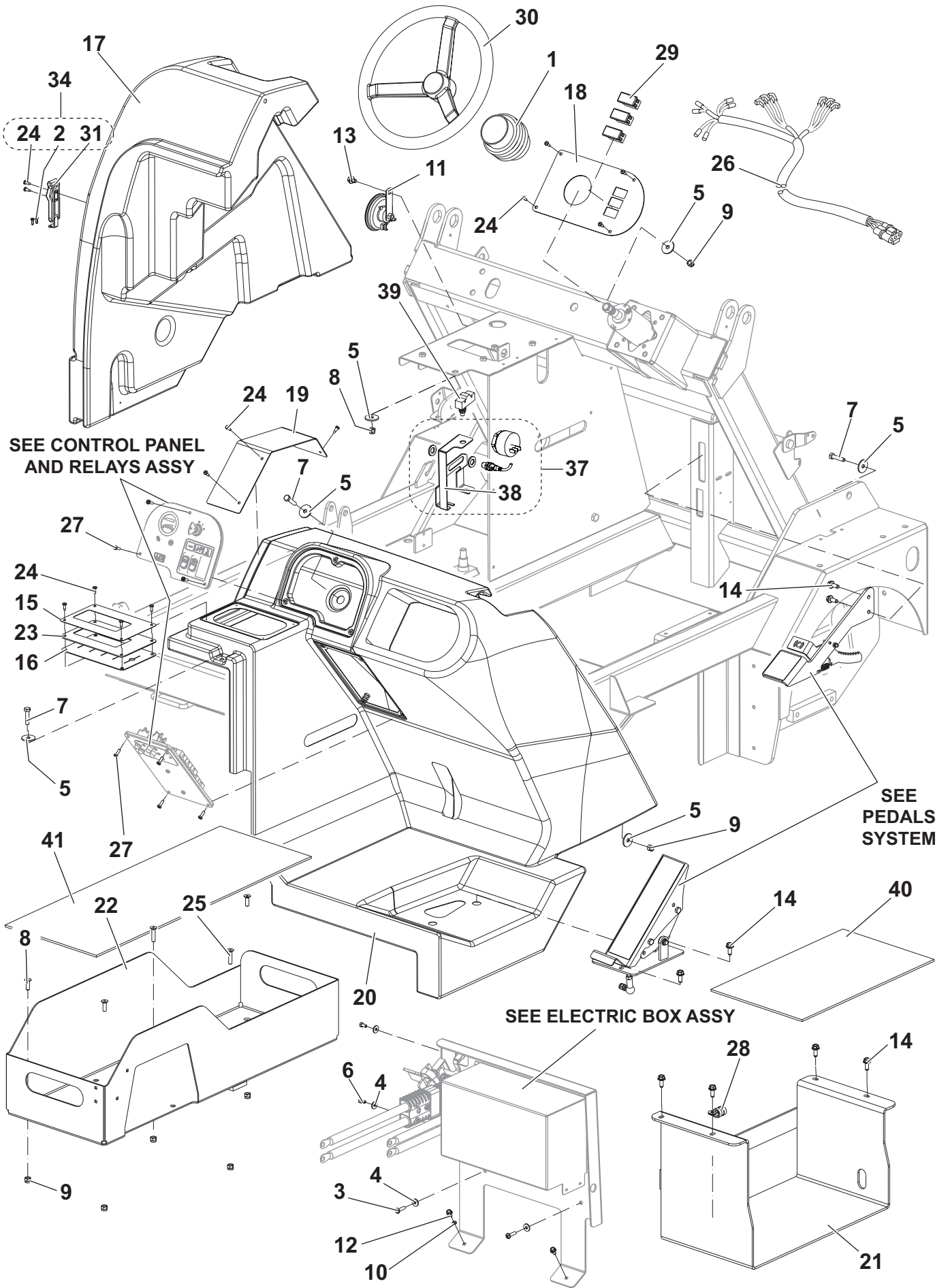
MAIN BROOM SYSTEM



MAIN BROOM SYSTEM

| ITEM | REF. NO. | QTY | DESCRIPTION |
|------------|-----------------|----------|--|
| 1 | 33002106 | 1 | SPRING MAIN BROOM |
| 2 | | 1 | FORK M12 |
| 3 | | 1 | CLIP 12 |
| 4 | | 2 | BUSHING DU 14X16X15 |
| 5 | | 1 | SCREW M14X70 UNI5737 |
| 6 | | 3 | SCREW M10X25 UNI5739 |
| 7 | | 1 | NUT HEX M12 UNI5589 |
| 8 | | 3 | WASHER M10 UNI6592 |
| 9 | | 1 | TIE ROD M10 L170 |
| 10 | | 1 | SPACER D11 H18 |
| 11 | | 1 | SCREW THREAD ROLLING |
| 12 | | 1 | LEVER WELDED |
| 13 | | 1 | CABLE |
| 14 | | 3 | SPACER |
| 15 | | 1 | PIN |
| 16 | | 1 | BAR |
| 17 | | 1 | KNOB M10 |
| 18 | | 1 | PIN LEVER MAIN BROOM |
| 19 | | 1 | NUT WING M10 |
| 20 | | 1 | DECAL PRESSURE MAIN BROOM |
| 21 | 33018858 | 1 | BROOM MAIN SPIRAL PPL 0.5 WHITE NAVY/STEEL 0.36 |
| 21* | 33018856 | 1 | BROOM MAIN SPIRAL NYLON 1.2 |
| 21* | 33018857 | 1 | BROOM MAIN SPIRAL PPL 0.5 WHITE NAVY |
| 21* | 33018859 | 1 | BROOM MAIN SPIRAL UNION MIX |
| 22 | | 1 | NUT SELF L. M14 UNI7473 |
| 23 | | 1 | WASHER 6X24 UNI6593 |
| 24 | | 4 | SCREW M6X16 UNI5739 |
| 25 | | 1 | SCREW M8X16 UNI5931 |
| 26 | | 1 | SCREW M8X20 UNI5931 |
| 27 | | 1 | WASHER M6 UNI1751B |
| 28 | | 2 | RING D 47 UNI7437 |
| 29 | | 1 | PIN |
| 30 | | 2 | SCREW THREAD ROLLING |
| 31 | 33017007 | 1 | BROOM ARM WELDED |
| 32 | 33017019 | 1 | SUPPORT WELDED |
| 33 | 33017140 | 1 | MAIN BROOM IDLE HUB |
| 34 | 33017141 | 1 | HUB |
| 35 | | 2 | SPACER |
| 36 | | 1 | COLLAR DOUBLE D.18 |
| # | 37 | 2 | BEARING 6303 2RS |
| [38] | 33018871 | 1 | SUPPORT MOTOR KIT (ITEM 30-31-32-35-26-36) |
| [39] | 33018870 | 1 | BALL BEARING KIT (ITEM 37-23-24-25-27-28-29-33-34) |
| [40] | 33018865 | 1 | PLATE MAIN BROOM KIT (ITEM 2-3-6-8-7-15-13-14-11) |
| [41] | 33018868 | 1 | LEVER WELDED KIT (ITEM 12-22-5-4) |
| [42] | 33018867 | 1 | ROD SPRING KIT (ITEM 9-10-17-18-19-20) |
| [43] | 33018869 | 1 | ROD LEVER KIT (ITEM 16-6-8-14) |

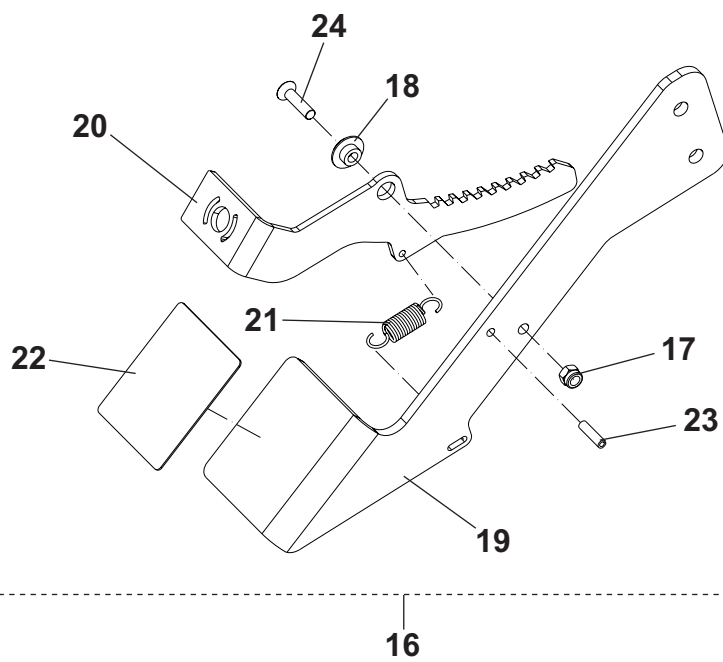
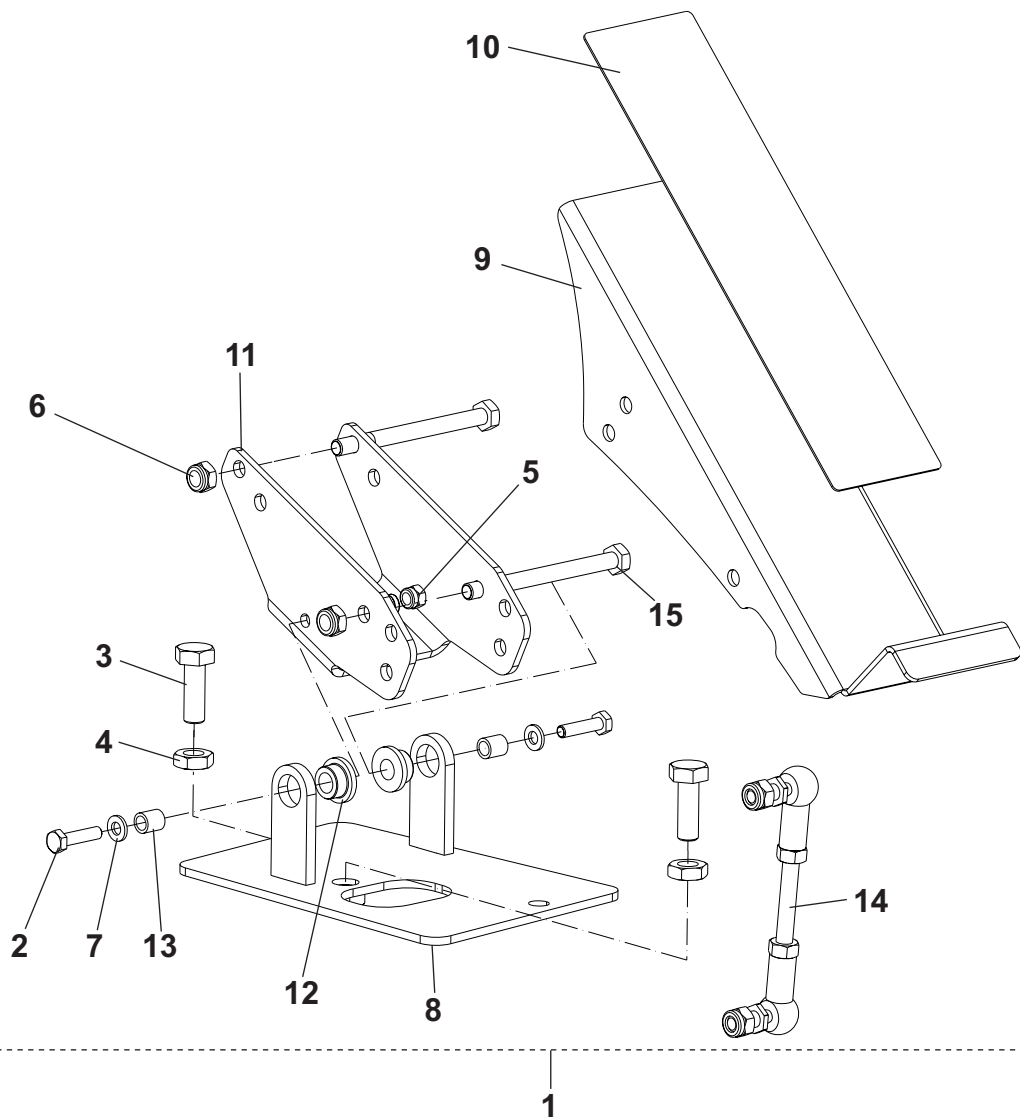
ASSY CONTROL



ASSY CONTROL

| | ITEM | REF. NO. | QTY | DESCRIPTION |
|---|------|---|-----|--|
| | 1 | 8-33-02360 | 1 | HOLE HEAT SHIED |
| | 2 | | 2 | SCREW M4X12 UNI7687 |
| | 3 | | 2 | SCREW 6X25 |
| | 4 | | 4 | WASHER 6X18 UNI6593 |
| | 5 | | 6 | WASHER 8X32 UNI6593 |
| | 6 | | 2 | SCREW M6X12 UNI5739 |
| | 7 | | 3 | SCREW M8X35 UNI5739 |
| | 8 | | 3 | SCREW M8X25 UNI5933 |
| | 9 | | 8 | NUT SELF L. M8 UNI7473 |
| | 10 | | 1 | WASHER M6 UNI8842A |
| | 11 | 33009017 | 1 | HORN 48V (HN) |
| | 12 | | 2 | SCREW THREAD ROLLING |
| | 13 | | 1 | SCREW THREAD ROLLING |
| | 14 | | 8 | SCREW THREAD ROLLING |
| | 15 | 33017053 | 1 | DECAL MANIFOLD BATTERY |
| | 16 | 33017164 | 1 | FLAP LEVER COVER |
| | 17 | 33017169 | 1 | COVER SIDE ROTOMOLD |
| | 17 | 33021154 | 1 | WATER TANK KIT |
| | 18 | 33017224 | 1 | COVER PLATE NON TILT |
| | 19 | 33017246 | 1 | PLATE |
| | 20 | 33017256 | 1 | CONSOLE |
| | 21 | 33017263 | 1 | PLATE |
| | 22 | 33017264 | 1 | SUPPORT LEFT |
| | 23 | 33017291 | 1 | PLATE MANIFOLD BATT MACH |
| | 24 | | 13 | SCREW 4.8X16 UNI6954 |
| | 25 | | 2 | SCREW M8X35 UNI5933 |
| | 26 | 33017376 | 1 | HARNESS MAIN BATTERY |
| | 27 | | 7 | SCREW M5X16 UNI7687 |
| | 28 | 146 2517 000 | 1 | CHOCK RUBBER |
| | 29 | 909 5836 000 | 3 | CAP |
| | 30 | 33018170 | 1 | STEERING WHEEL |
| | 31 | | 1 | LATCH |
| | 34 | 33018803 | 1 | LATCH KIT (ITEM 31-2-24) |
| | [35] | 33020341 | 1 | CONTROL LEFT HARDWARE KIT (ITEM 24-14-13-9-7-5-2) |
| | [36] | 33020342 | 1 | CONTROL RIGHT HARDWARE KIT (ITEM 27-25-24-14-13-12-10-9-8-7-6-5-4-3-2) |
| # | 37A | 33023039 | 1 | BUZZER REVERSE GEAR BATTERY KIT |
| | | 33019168 | 1 | INSTRUCTIONS ASSEMBLY |
| # | 38 | 33023041 | 1 | BRACKET F SENSOR US BATTERY VERSION PKD |
| | 39 | 33010427 | 1 | MICROSWITCH (SW4) |
| | 40 | 33020544 | 1 | MAT BATTERY RIGHT |
| | 41 | 33020545 | 1 | MAT BATTERY LEFT |
| | A: | UP TO S/N 3810134500024 - CODE 33022405 NO MORE AVAILABLE SEE TSB FC 2013-148 | | |

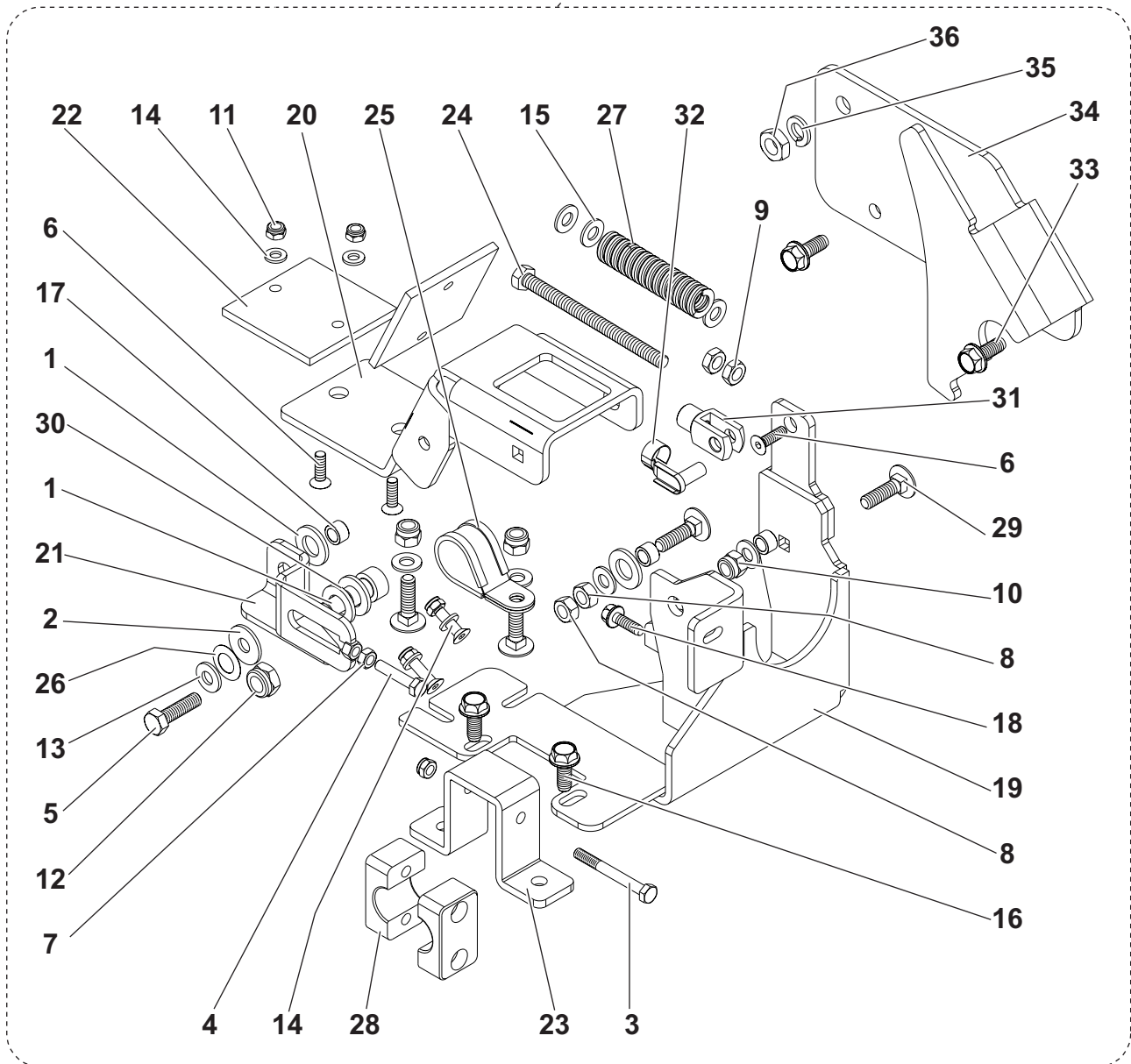
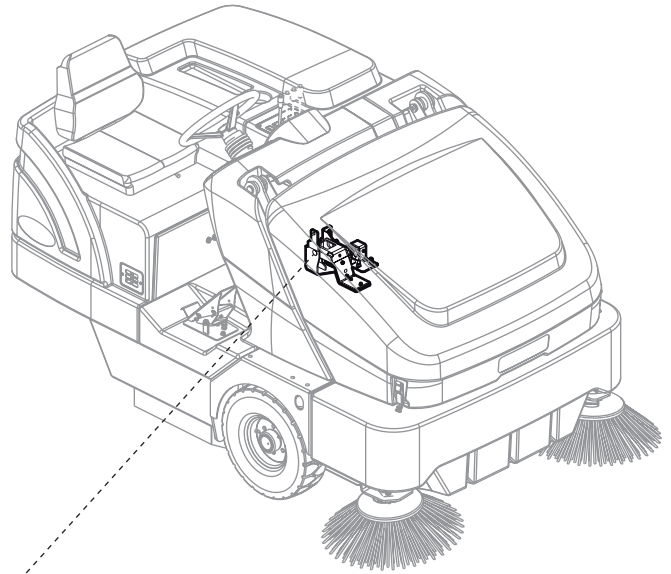
PEDALS SYSTEM



PEDALS SYSTEM

| ITEM | REF. NO. | QTY | DESCRIPTION |
|------|----------|-----|--|
| 1 | 33018841 | 1 | FOOT PEDAL UPPER KIT (ITEM 2-3-4-5-6-7-8-9-10-11-12-13-14-15-25) |
| 2 | | 2 | SCREW M6X25 UNI5739 |
| 3 | | 1 | SCREW HEX M10X35 UNI5739 |
| 4 | | 2 | NUT HEX M10 UNI5589 |
| 5 | | 2 | NUT SELF L. M6 UNI7473 |
| 6 | | 2 | NUT SELF L. M8 UNI7474 |
| 7 | | 2 | WASHER M6 UNI6592 |
| 8 | 33017203 | 1 | MOUNT WELDED PEDAL |
| 9 | 33017204 | 1 | FOOT PEDAL UPPER |
| 10 | 33017205 | 1 | MAT PEDAL |
| 11 | 33017206 | 1 | FOOT PEDAL LOWER |
| 12 | 33017216 | 2 | BEARING |
| 13 | 33017217 | 2 | BUSHING |
| 14 | 33018842 | 1 | CONNECTION PEDAL KIT (ITEM 26-27-28-29) |
| 15 | | 2 | SCREW M8X95 UNI5737 |
| 16 | 33018845 | 1 | PEDAL BRAKE KIT (ITEM 17-18-19-20-21-22-23-24) |
| 17 | | 1 | NUT SELF L. M6 UNI7473 |
| 18 | 33017178 | 1 | BUSH |
| 19 | 33017197 | 1 | PEDAL BRAKE |
| 20 | 33017198 | 1 | PARKING BRAKE LEVER |
| 21 | 33017199 | 1 | SPRING |
| 22 | 33017259 | 1 | MAT PEDAL |
| 23 | | 1 | PIN SPRING 5X20 |
| 24 | | 1 | SCREW M6X25 UNI5933 |
| [25] | 33020416 | 1 | PEDAL WARDWARE KIT (ITEM 3-12-7-6-5-4-3-2) |
| [26] | | 2 | NUT HEX M8 UNI5588 |
| [27] | | 2 | DADO AUTOB M8 |
| [28] | | 1 | BARRA FILETTATA |
| [29] | | 2 | JOINT BALL M8 |

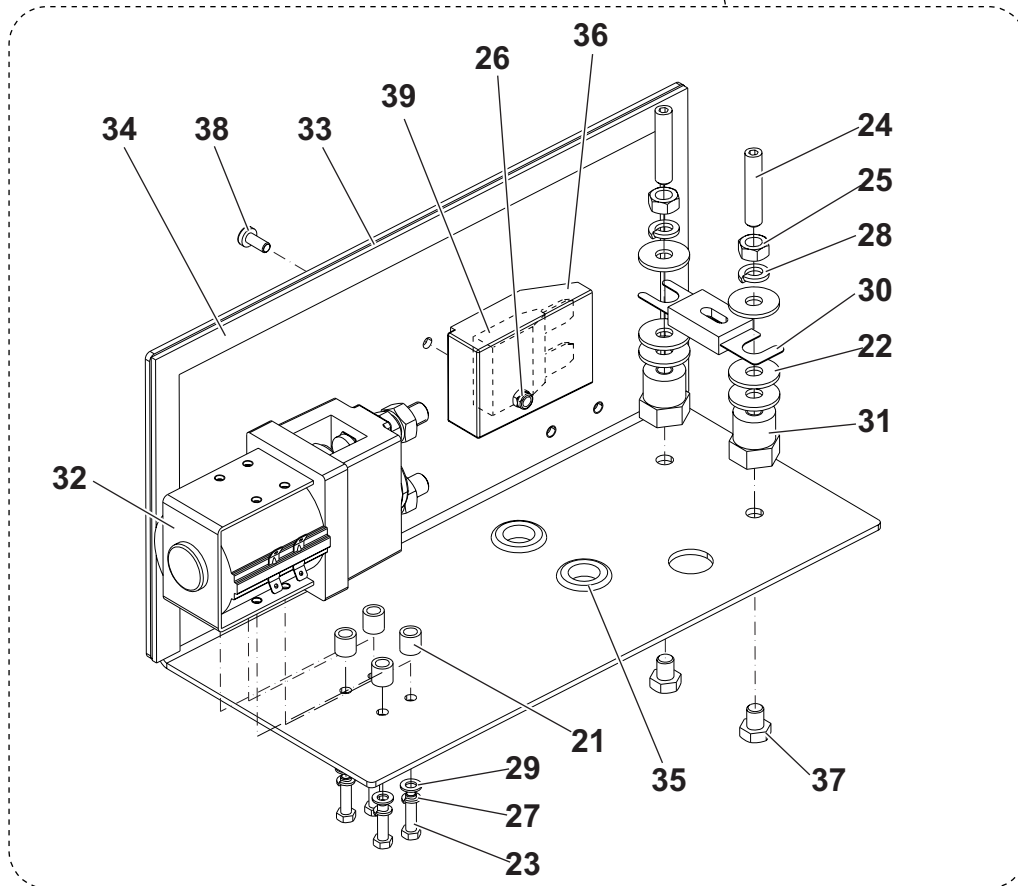
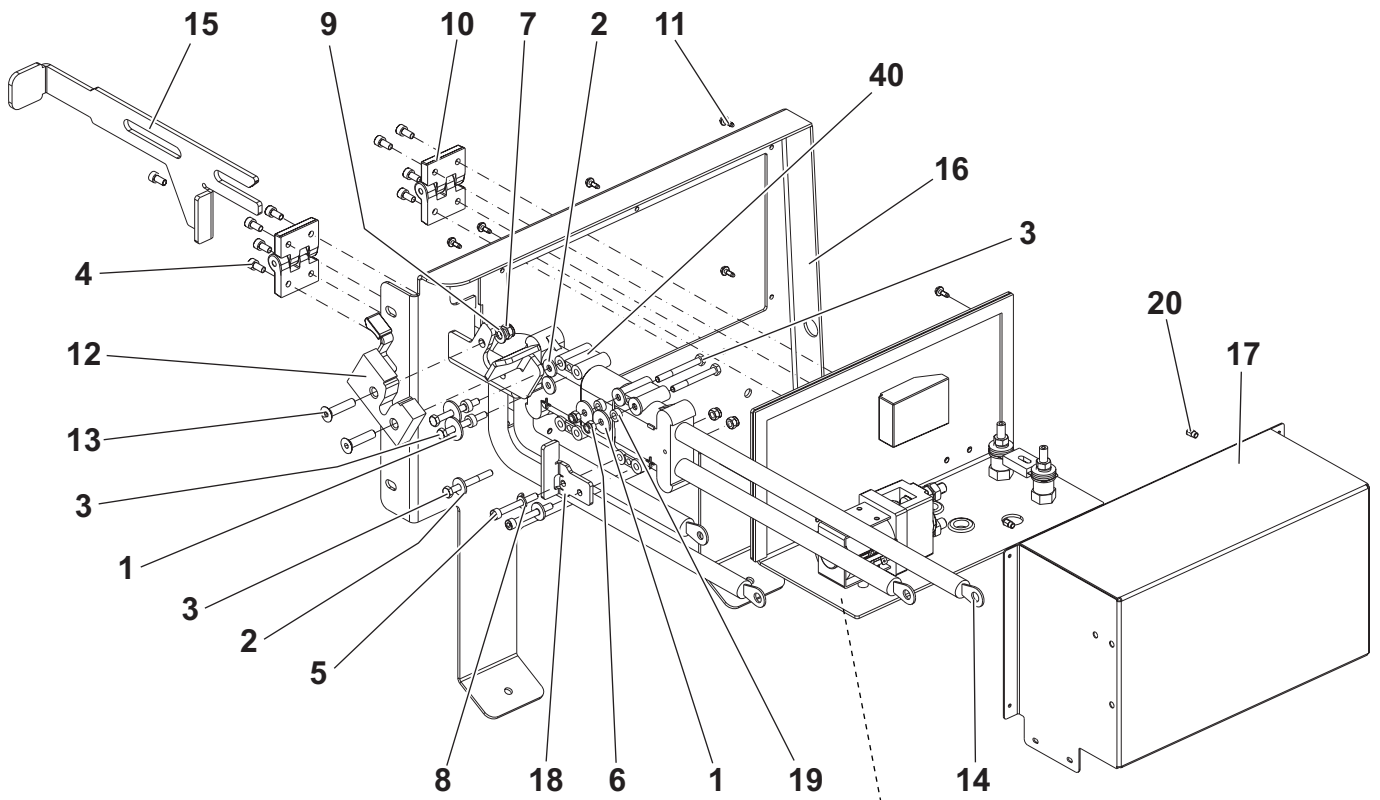
ASSY SPEED LIMITING



ASSY SPEED LIMITING

| ITEM | REF. NO. | QTY | DESCRIPTION |
|------|--------------|-----|--|
| 1 | | 4 | WASHER M12 UNI6592 |
| 2 | | 1 | WASHER 8X24 UNI6593 |
| 3 | | 1 | SCREW M6X55 UNI5737 |
| 4 | | 1 | SCREW M6X30 UNI5739 |
| 5 | | 1 | SCREW M8X30 UNI5739 |
| 6 | | 5 | SCREW M6X20 UNI5933 |
| 7 | | 1 | NUT HEX M6 UNI5588 |
| 8 | | 2 | NUT HEX M8 UNI5588 |
| 9 | | 2 | NUT HEX M8 UNI5589 |
| 10 | | 3 | NUT SELF L. M8 UNI7473 |
| 11 | | 5 | NUT SELF L. M6 UNI7474 |
| 12 | | 1 | NUT SELF L. M10 UNI7474 |
| 13 | | 1 | WASHER M8 UNI8836 |
| 14 | | 4 | WASHER M6 UNI6592 |
| 15 | | 7 | WASHER M8 UNI6592 |
| 16 | | 2 | SCREW THREAD ROLLING |
| 17 | | 3 | SPACER |
| 18 | | 1 | SCREW THREAD ROLLING |
| 19 | 33019995 | 1 | BASE SPEED LIMITING |
| 20 | 33019996 | 1 | LEVER SPEED LIMITING |
| 21 | 33019997 | 1 | LEVER ADJUSTER |
| 22 | 33019998 | 2 | PLATE FOR SPEED LIMITING |
| 23 | 33020212 | 1 | SUPPORT COLLAR |
| 24 | | 1 | SCREW M8X110 UNI5739 |
| 25 | 33020367 | 1 | CLAMP HOSE D.25 |
| 26 | 146 0617 000 | 1 | BELLEVILLE WASHER |
| 27 | | 1 | SPRING |
| 28 | | 1 | COLLAR.PIPE FIXING D.22 |
| 29 | | 4 | SCREW M8X30 UNI5731 |
| 30 | | 1 | SCREW SHOULDER M12X16 |
| 31 | | 1 | FORK M8 |
| 32 | | 1 | KLIPP M8 |
| 33 | | 4 | SCREW THREAD ROLLING |
| 34 | 33020565 | 1 | BRACKET SAFETY GUIDE |
| 35 | | 1 | WASHER M10 UNI1751B |
| 36 | | 1 | NUT HEX M10 UNI5589 |
| [37] | 33020350 | 1 | SPEED LIMITING HARDWARE KIT (ITEM 1-2-3-4-5-6-7-8-9-10-11-12-13-14-15-16-17-18-24-27-28-29-30-31-32) |

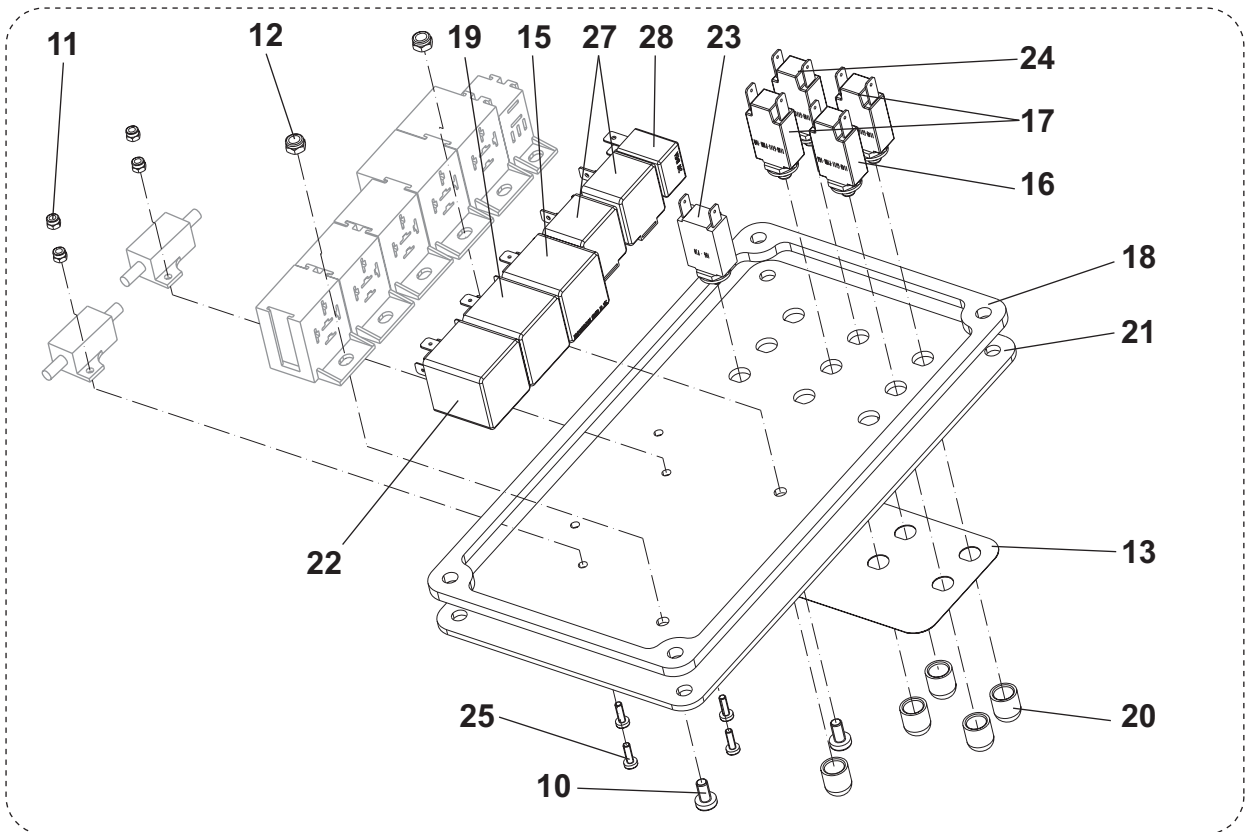
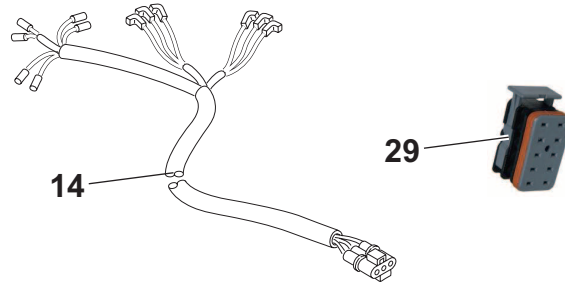
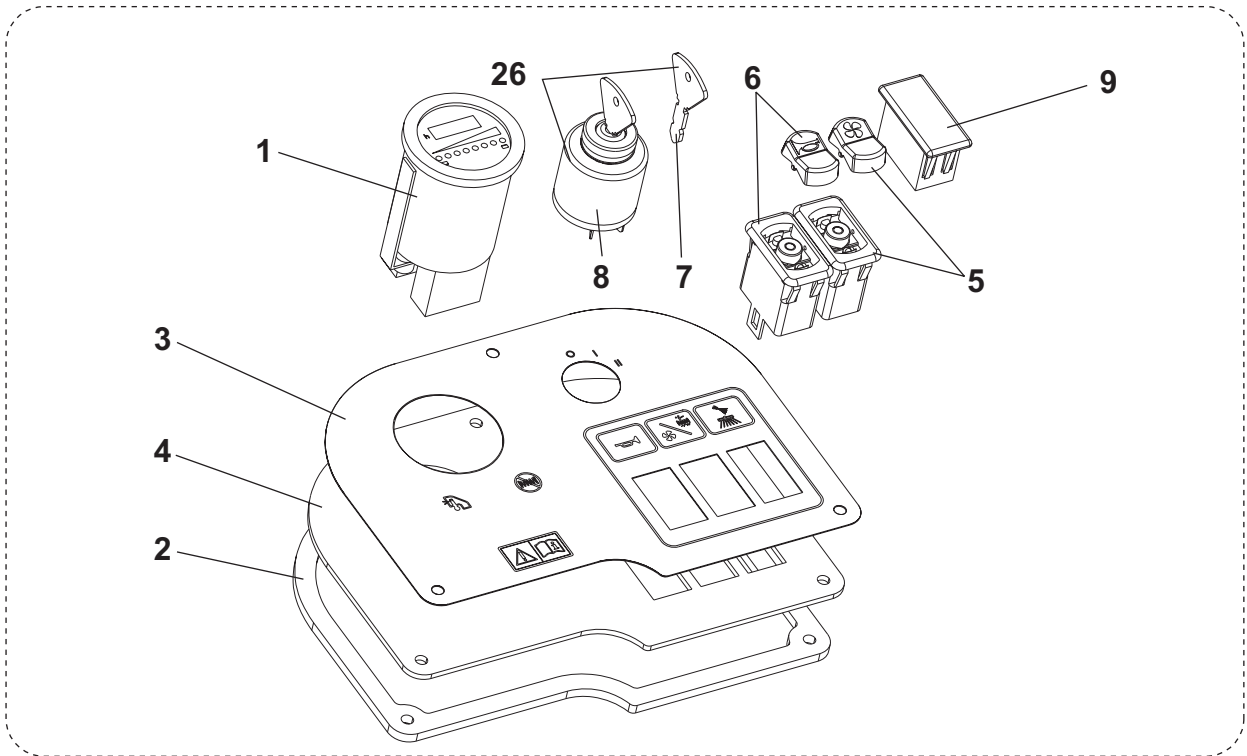
ELECTRIC BOX ASSY



ELECTRIC BOX ASSY

| ITEM | REF. NO. | QTY | DESCRIPTION |
|------|--------------|-----|---|
| 1 | | 4 | WASHER 6X24 UNI6593 |
| 2 | | 6 | WASHER 6X18 UNI6593 |
| 3 | | 5 | SCREW M6X55 UNI5737 |
| 4 | | 8 | SCREW M6X12 UNI5931 |
| 5 | | 2 | SCREW M6X50 UNI5931 |
| 6 | | 4 | NUT SELF L. M6 UNI7473 |
| 7 | | 2 | NUT SELF L. M8 UNI7474 |
| 8 | | 1 | WASHER M6 UNI6592 |
| 9 | | 2 | WASHER M8 UNI6592 |
| 10 | 33009531 | 2 | HINGE |
| 11 | | 7 | SCREW THREAD ROLLING |
| 12 | 33017176 | 1 | LATCH SLAM |
| 13 | | 2 | SCREW M8X35 UNI5933 |
| 14 | 33017362 | 1 | HARNESS ELECTRIC MOTOR |
| 15 | 33017393 | 1 | PLATE |
| 16 | 33017680 | 1 | PLATE |
| 17 | 33017683 | 1 | BOX |
| 18 | 33020297 | 1 | BRACKET EMERGENCY DISCONN |
| 19 | | 4 | SPACER |
| 20 | | 2 | INSERT M4 |
| 21 | | 4 | SPACER |
| 22 | | 6 | WASHER 8X24 UNI6592 |
| 23 | | 4 | SCREW M5X20 UNI5739 |
| 24 | | 2 | SCREW GRUB M8X40 UNI5923 |
| 25 | | 2 | NUT HEX M8 UNI5588 |
| 26 | | 1 | NUT SELF L. M5 UNI7474 |
| 27 | | 4 | WASHER M5 UNI1751B |
| 28 | | 2 | WASHER M8 UNI1751B |
| 29 | | 4 | WASHER M5 UNI6592 |
| 30 | 33008583 | 1 | POWER FUSE 250A (F0) |
| 31 | 33017365 | 2 | ISOLATOR M8 |
| 32 | 33017449 | 1 | CONTACTOR UNIPOLAR 48V (ES0) |
| 33 | 33017681 | 1 | COVER |
| 34 | 33018876 | 1 | GASKET L 2500 |
| 35 | | 2 | GROMMET |
| 36 | 146 0659 000 | 1 | FUSE HOLDER MAXIVAL |
| 37 | | 2 | SCREW M8X10 UNI5739 |
| 38 | | 1 | SCREW M5X12 UNI7687 |
| 39 | 909 5101 000 | 1 | FUSE 30A (F10) |
| 40 | 33019166 | 1 | CONNECTOR 350 AMP BLUE (C1) |
| [41] | 33018861 | 1 | BLOCK BONNET KIT (ITEM 12-9-7-18-21-2- SEE PAGE 31 12-13) |
| [42] | 33020449 | 1 | ELECTRIC BOX HARDWARE KIT (ITEM 1-2-3-4-5-6-7-8-9-11-13-19-20-21-22-23-24-25-26-27-28-29-37-38) |

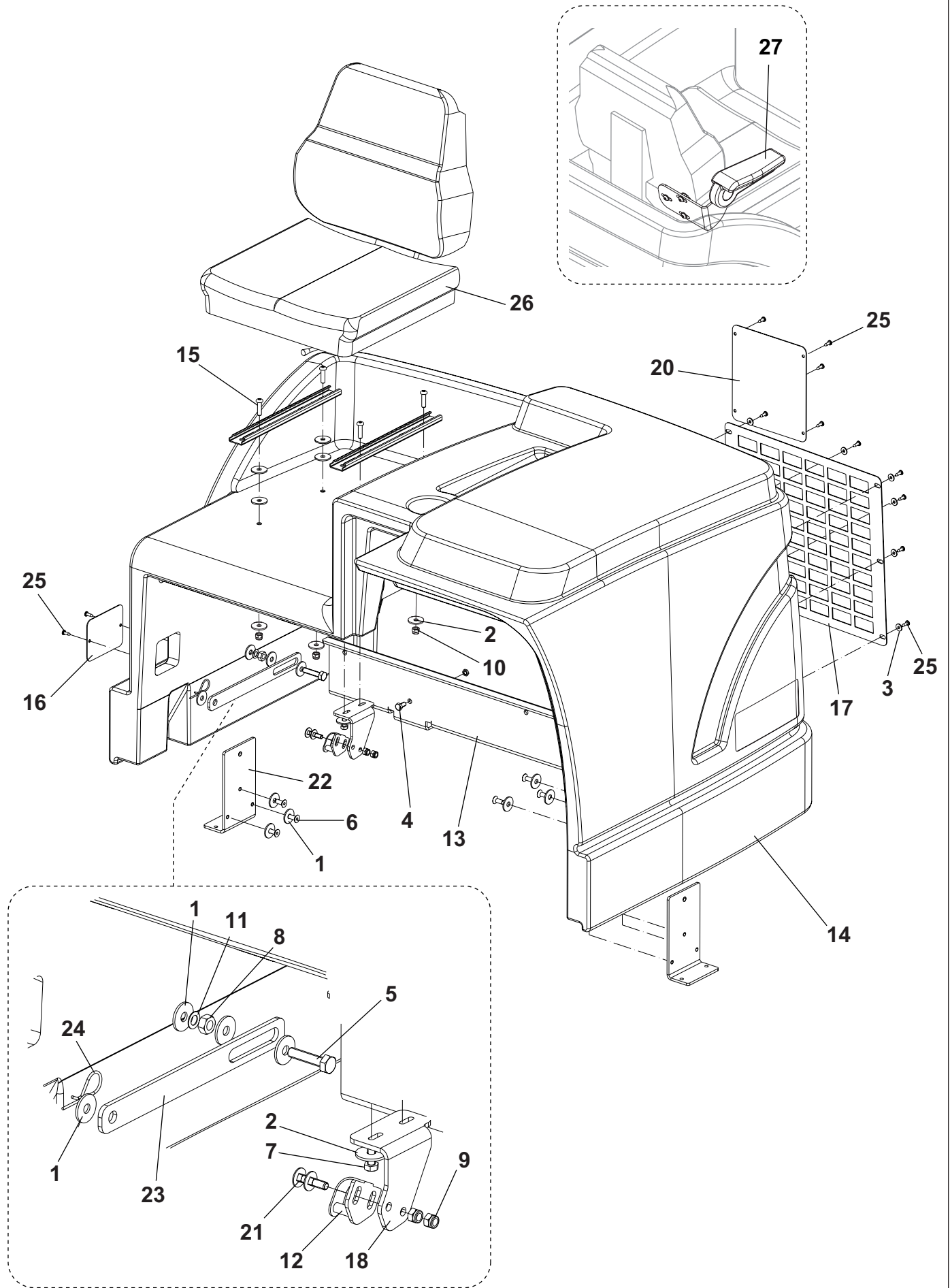
ASSY CONTROL PANEL AND RELAYS



ASSY CONTROL PANEL AND RELAYS

| ITEM | REF. NO. | QTY | DESCRIPTION |
|------|--------------|-----|--|
| 1 | 33017221 | 1 | GAUGE 48V (STR) |
| 2 | 33017223 | 1 | GASKET PLATE |
| 3 | 33017375 | 1 | DECAL GAUGE PANEL |
| 4 | 33017377 | 1 | PLATE GAGE BATTERY |
| 5 | 33018843 | 1 | SWITCH SUCTION KIT (SW1) |
| 6 | 33018844 | 1 | SWITCH HORN KIT (SW2) |
| 7 | 146 0073 00 | 1 | KEY (1PC) |
| 9 | 909 5836 000 | 1 | CAP |
| 10 | | 2 | SCREW PAN PHIL M5X10 |
| 11 | | 4 | NUT SELF L. M3 UNI7474 |
| 12 | | 2 | NUT SELF L. M5 UNI7474 |
| 13 | 33017249 | 1 | DECAL FUSES |
| 14 | 33017356 | 1 | HARNESS RELAY (BATT) |
| 15 | 33017359 | 1 | RELAY TIMER 20 SECONDS (T1) |
| 16 | 33017360 | 1 | BREAKER CIRCUIT 16A (F4) |
| 17 | 33017361 | 2 | CIRCUIT BREAKER 10A (F1 - F5) |
| 18 | 33017381 | 1 | GASKET |
| 19 | 33017385 | 1 | RELAY TIMER 0,5 SEC. (T2) |
| 20 | 33017386 | 5 | BOOT CIRCUIT BREKER |
| 21 | 33017414 | 1 | PLATE FUSES |
| 22 | 33019197 | 1 | RELAY TIMER 0,5 SEC. (T3) |
| 23 | 33020276 | 1 | BREAKER CIRCUIT 3A |
| 24 | 33020282 | 1 | BREAKER CIRCUIT 5A (F2) |
| 25 | | 4 | SCREW PAN PHIL M3X10 |
| 26 | 33020442 | 1 | KEY START ASSY WITH SPARE KEY (ITEM 8-7) |
| 27 | 909 6622 000 | 2 | RELAY 24V 40A (ES1 - ES2) |
| 28 | 146 1646 000 | 1 | RELAY 24V (ES3) |
| 29 | 33017330 | 3 | SWITCH CONNECTOR |

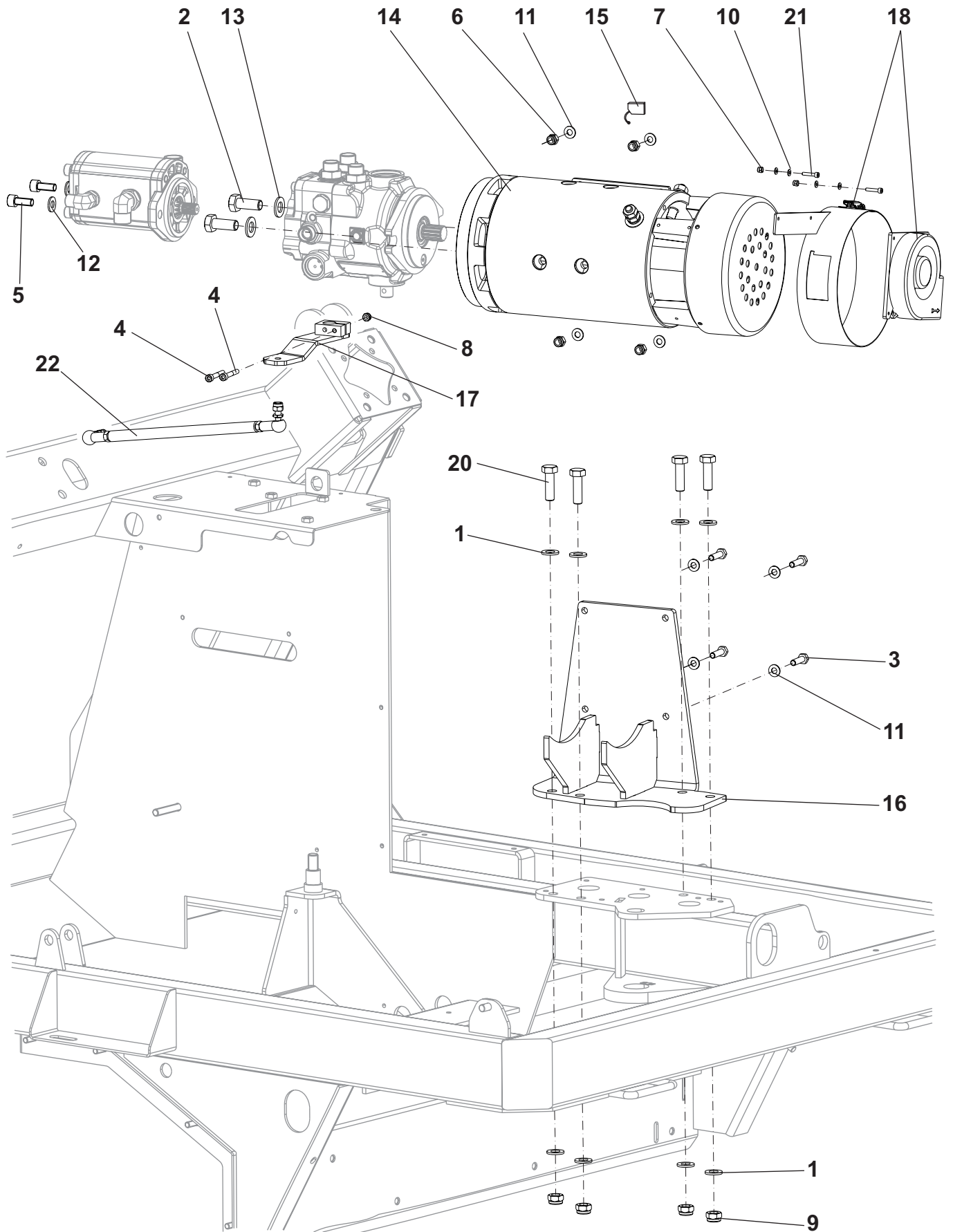
ASSY REAR COVER



ASSY REAR COVER

| | ITEM | REF. NO. | QTY | DESCRIPTION |
|---|------|--------------|-----|--|
| | 1 | | 14 | WASHER 10X30 UNI6592 |
| | 2 | | 14 | WASHER 8X32 UNI6593 |
| | 3 | | 6 | WASHER 5X15 UNI6593 |
| | 4 | | 6 | SCREW M8X16 UNI5739 |
| | 5 | | 2 | SCREW M10X45 UNI5739 |
| | 6 | | 6 | SCREW M8X20 UNI5933 |
| | 7 | | 2 | SCREW M8X20 UNI5739 |
| | 8 | | 2 | NUT HEX M10 UNI5588 |
| | 9 | | 2 | NUT SELF L. M8 UNI7473 |
| | 10 | | 4 | NUT SELF L. M8 UNI7474 |
| | 11 | | 2 | WASHER M10 UNI8842A |
| | 12 | 33017177 | 1 | CATCH LATCH |
| # | 13 | 33017213 | 1 | BRACKET HINGE |
| | 14 | 33021009 | 1 | COVER ENGINE |
| | 15 | | 4 | SCREW M8X30 ISO7380 |
| | 16 | 33017245 | 1 | PLATE SIDE SMALL BATTERY |
| | 17 | 33017247 | 1 | GRILL REAR |
| | 18 | 33017261 | 1 | PLATE CATCH |
| | [19] | 33017357 | 1 | HARNESS REAR COVER BATTERY |
| | 20 | 33017368 | 1 | PLATE SMALL BATTERY |
| | 21 | | 2 | SCREW M8X20 UNI5732 |
| | 22 | 33018685 | 2 | BRACKET FOR STOP COVER |
| | 23 | 33018687 | 2 | ROD CONNECTING STOP COVER |
| | 24 | | 2 | PIN COTTER |
| | 25 | | 16 | SCREW PAN HD |
| | 26 | 145 5975 000 | 1 | SEAT |
| | 27 | 33019556 | 1 | ARMREST RIGHT KIT |
| | [28] | 33019554 | 1 | SEAT BELT KIT |
| | [29] | 33018862 | 1 | BONNET BLOCK KIT (11-1-8-5-23-24) |
| | [30] | 33019103 | 1 | REINFORCEMENT BONNET KIT (1-4-6-13-22-25) |
| | [31] | 33020340 | 1 | REAR COVER HARDWARE KIT (ITEM 1-2-3-4-5-6-7-8-9-10-11-15-21-24-25) |

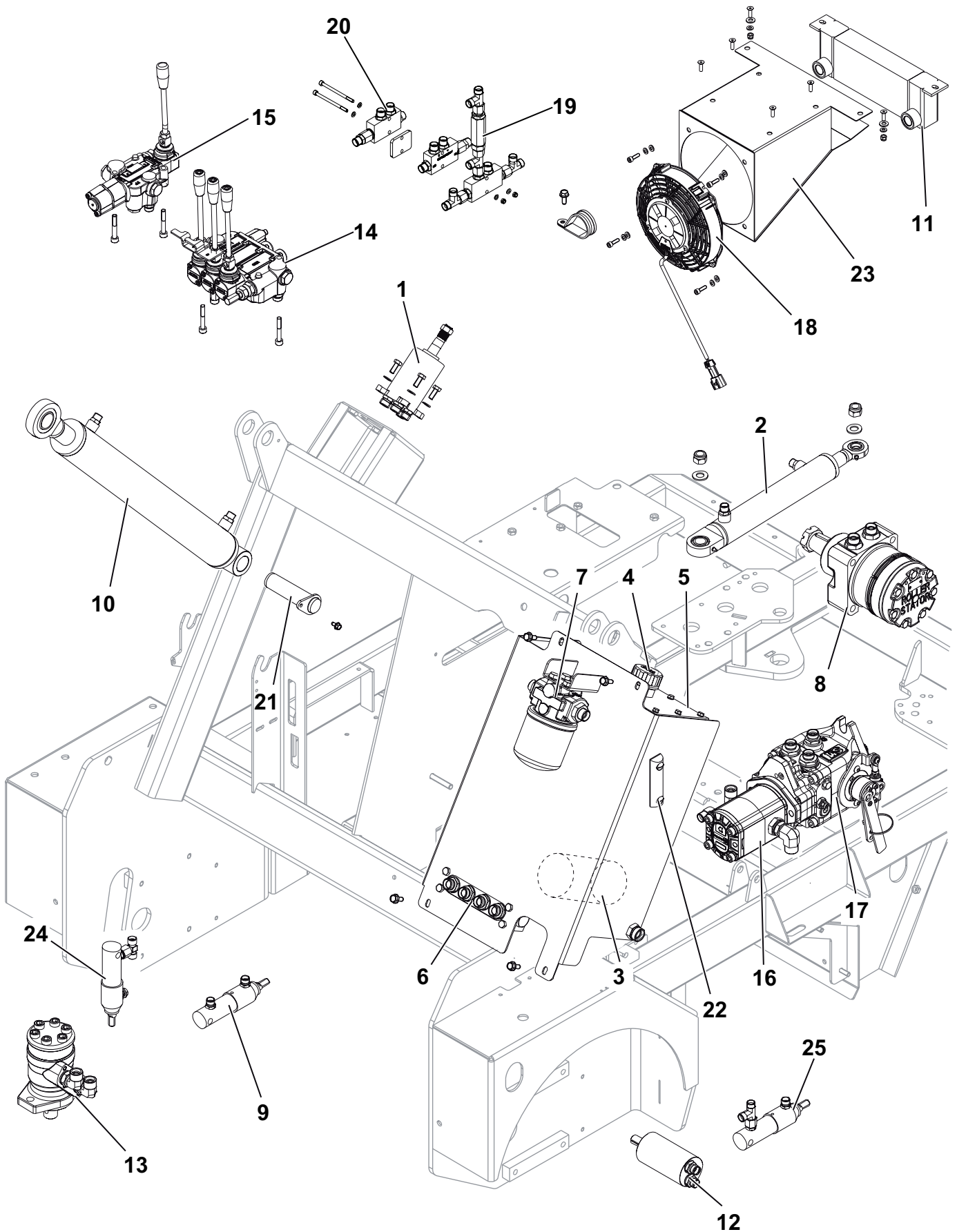
ELECTRIC MOTOR ASSY



ELECTRIC MOTOR ASSY

| ITEM | REF. NO. | QTY | DESCRIPTION |
|------|---|----------|--|
| 1 | | 8 | WASHER M12 UNI6592 |
| 2 | | 2 | SCREW M14X35 UNI5739 |
| 3 | | 4 | SCREW M8X30 UNI5739 |
| 4 | | 2 | SCREW M6X40 UNI5931 |
| 5 | | 2 | SCREW M10X25 UNI5931 |
| 6 | | 4 | NUT SELF L. M8 UNI7473 |
| 7 | | 2 | NUT SELF L. M4 UNI7473 |
| 8 | | 1 | NUT SELF L. M6 UNI7474 |
| 9 | | 4 | NUT SELF L. M12X1.5 |
| 10 | | 4 | WASHER M4 UNI6592 |
| 11 | | 8 | WASHER M8 UNI6592 |
| 12 | | 2 | WASHER M10 UNI6592 |
| 13 | | 2 | WASHER M14 UNI6592 |
| 14 | 33022549 | 1 | MOTOR ELECTRIC AND CABLE EXTENTION KIT (MP) |
| 15 | 33022548 | 1 | CARBON BRUSH KIT 8 PCS |
| 15C | 33019625 | 1 | CARBON BRUSH KIT 4PCS |
| 16A | 33017364 | 1 | BRACKET |
| # | 16B | 33023028 | 1 BRACKET |
| 17 | 33017382 | 1 | LEVER PUMP BATTERY |
| # | 18C | 33023036 | 1 FAN COOLING MOTOR ELECTRIC KIT (M6) |
| 20 | | 4 | SCREW M12X40 UNI5739 |
| 21 | | 2 | SCREW M4X20 UNI5931 |
| 22A | 33020562 | 1 | KIT LINKAGE PEDAL BATTERY |
| 22B | 33022170 | 1 | KIT LINKAGE PEDAL BATTERY |
| [23] | 33020450 | 1 | ELECTRIC MOTOR HARDWARE KIT (ITEM 1-2-3-4-5-6-7-8-9-10-11-12-13-20-21) |
| A: | UP TO S/N 3810114600046 | | |
| B: | STARTING FROM S/N 3810114600047 | | |
| C: | ONLY FOR 33017260 ELECTRIC MOTOR 48V 7 KW | | |

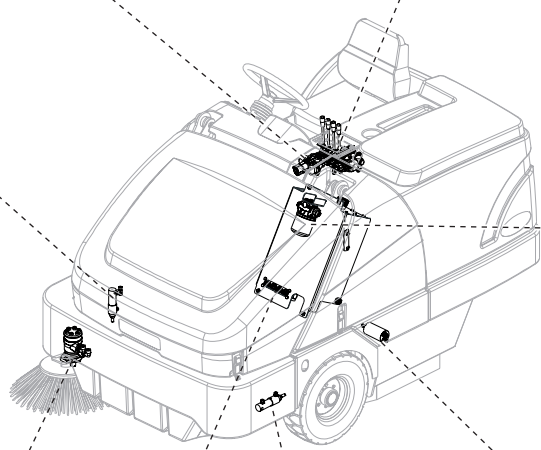
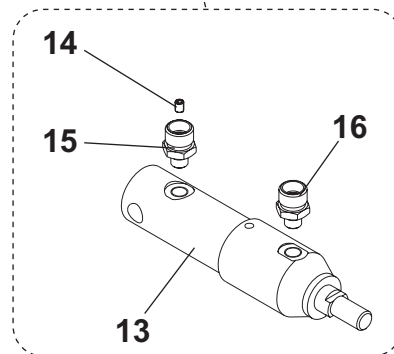
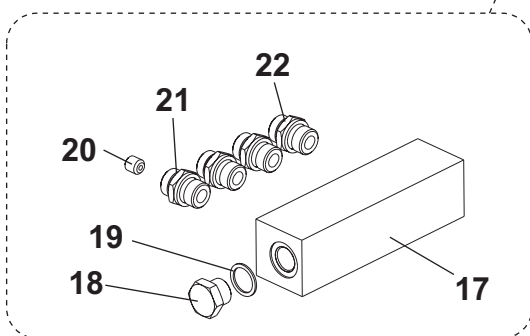
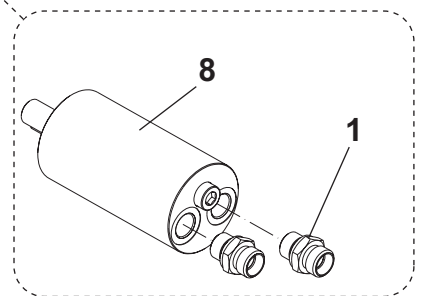
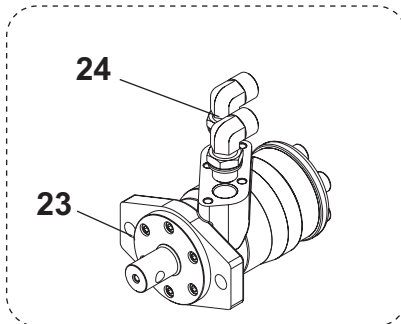
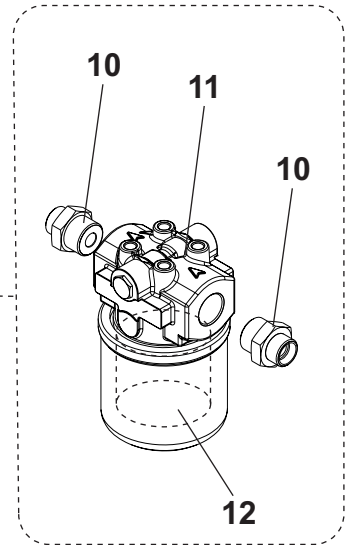
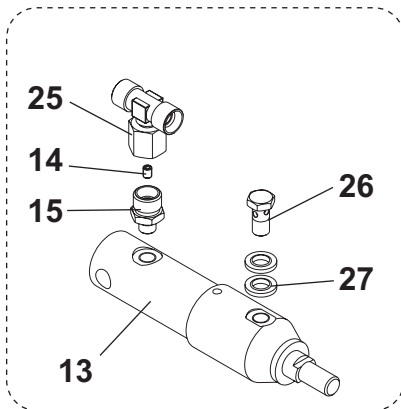
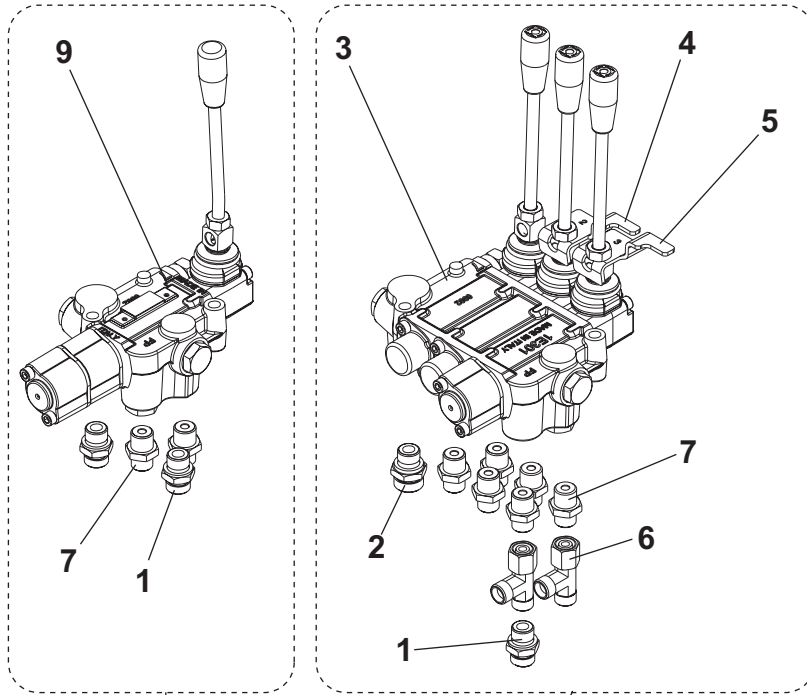
ASSY HYDRAULIC PLANT



ASSY HYDRAULIC PLANT

| ITEM | REF. NO. | QTY | DESCRIPTION |
|------|----------|--|---|
| | 1 | 33022292 | 1 STEERING UNIT KIT |
| | * | 33022033 | 1 GASKET STEERING UNIT |
| | 2 | 33018808 | 1 CYLINDER POWER STEERING KIT (ITEM 23-2 SEE PAGE 39) |
| | 3 | 33010199 | 1 OIL FILTER HYDRAULIC |
| | 4 | 33011530 | 1 PLUG |
| | 5 | 33001307 | 1 GASKET |
| | 6 | 33018809 | 1 TANK OIL KIT (ITEM 22-17-20-21-19-18 SEE PAGE 37) |
| | 7 | 33018810 | 1 FILTER PRESSURE KIT (ITEM 10-11 SEE PAGE 37) |
| | 8 | 33019737 | 1 MOTOR DRIVE KIT (ITEM 21-22 SEE PAGE 39) |
| | * | 33020753 | 1 GASKETS HYDRAULIC MOT.KIT |
| | 9 | 33018802 | 1 CYLINDER FLAP KIT (13-14-15-16 SEE PAGE 37) |
| | 10 | 33018811 | 1 CYLINDER LIFTING CONTAINER |
| | 10A | 33021068 | 1 ADAPTATION FOR CYLINDER W |
| | 11 | 33022413 | 1 RADIATOR |
| | 12 | 33018872 | 1 MOTOR MAIN BROOM KIT (ITEM 8-1 SEE PAGE 37) |
| | 13 | 33018807 | 1 MOTOR SIDE BROOM KIT (ITEM 23-24 SEE PAGE 37) |
| | 14 | 33018812 | 1 DISTRIBUTOR 3 ELEMENTS KIT (ITEM 2-3-4-5-6-7 SEE PAGE 37) |
| | 15 | 33018815 | 1 DISTRIBUTOR 1 ELEMENT KIT (ITEM 1-7-9 SEE PAGE 37) |
| | 16 | | 1 PUMP HYDRAULIC TWIN KIT (ITEM 7-18-19-20-25 SEE PAGE 39) |
| | 17 | 33022111 | 1 PUMP DRIVE KIT (ITEM 24-26 SEE PAGE 39) |
| | * | 33022094 | 1 GASKET HYDRAULIC PUMP KIT |
| # | * | 33023034 | 1 PINION FOR PUMP TRACTION P01 PKD |
| # | 17B | 33023029 | 1 PUMP AND SUPPORT MOTOR KIT |
| # | | 33023030 | 1 INSTALLATION INSTRUCTION |
| | 18 | 33020222 | 1 MOTOR VACUUM 48V (M5) |
| | 19 | 33018817 | 1 CUTOFF VALVE DOUBLE KIT (ITEM 6-12-13-14-15-16 SEE PAGE 39) |
| | 20 | 33018840 | 2 CUTOFF VALVE KIT (ITEM 10-2 SEE PAGE 39) |
| | 21 | 33020853 | 1 PIN HYDRAULIC CYLINDER |
| | 22 | 33011529 | 1 OIL LEVEL |
| | 23 | 33020265 | 1 CONVEYOR FOR AIR COOLER |
| | 24 | 33021767 | 1 CYLINDER BROOM RIGHT KIT (ITEM 13-14-15-25-26-27 SEE PAGE 37) |
| | 25 | 33021765 | 1 CYLINDER CENTRAL BROOM KIT (ITEM 5-6-7-8-9 SEE PAGE 39) |
| | [26] | 33020339 | 1 HYDRAULIC HARDWARE KIT (ITEM 27-28-29-30-31-32-33-34-35-36-37-38) |
| | [27] | | 4 SCREW M8X20 ISO7380 |
| | [28] | | 4 CAP INSULATING |
| | [29] | | 2 NUT SELF L. M14 UNI7473 |
| | [30] | | 1 CLAMP HOSE D.45 |
| | [31] | | 1 SCREW THREAD ROLLING |
| | [32] | | 1 SCREW THREAD ROLLING |
| | [33] | | 1 PIPE FITTING |
| | [34] | | 2 WASHER M14 UNI6592 |
| | [35] | | 4 WASHER M5 UNI6592 |
| | [36] | | 4 NUT SELF L. M5 UNI7474 |
| | [37] | | 2 SCREW M5X80 UNI5931 |
| | [38] | | 2 SCREW M6X55 UNI5737 |
| | A: | FOR MACHINE AFTER S.N. 103206080 (ALONG WITH REF., 33018811) | |
| | B: | 33023029 - FOR MACHINE BEFORE S.N.3810121100106 | |

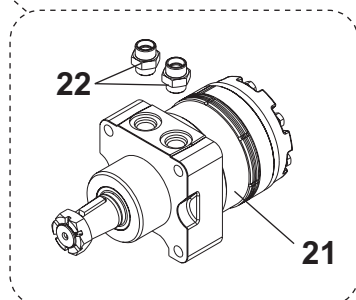
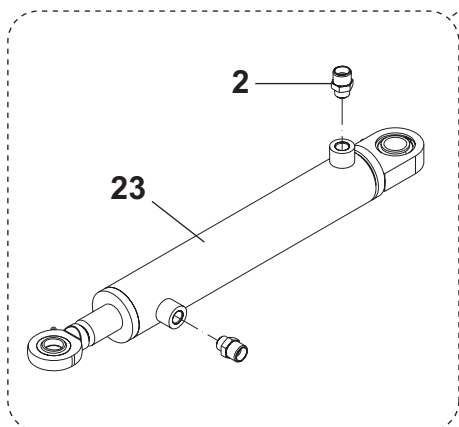
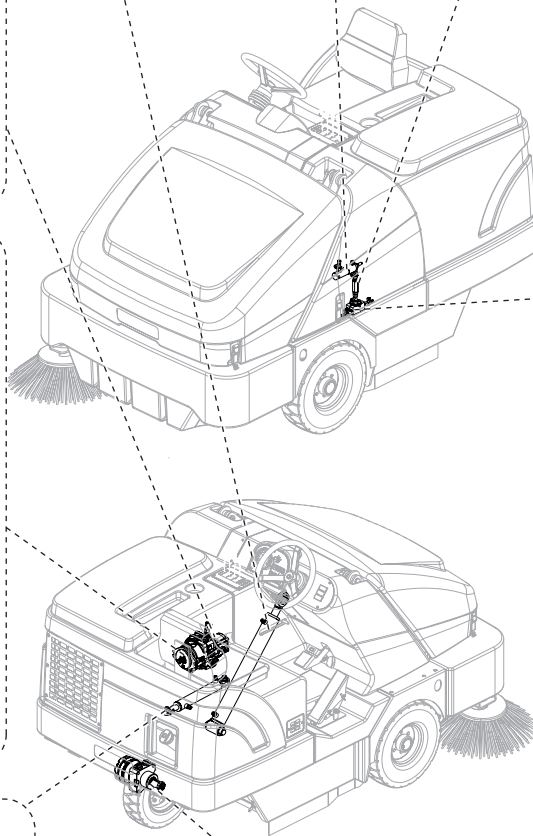
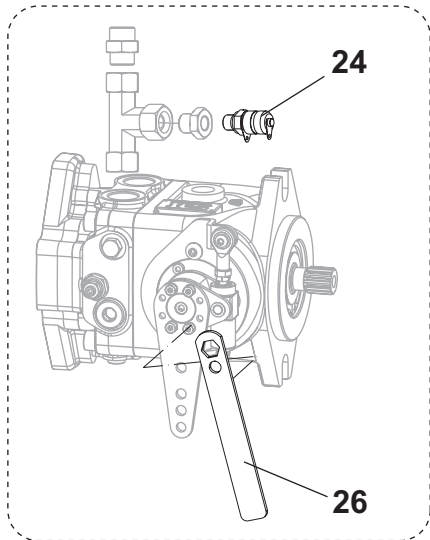
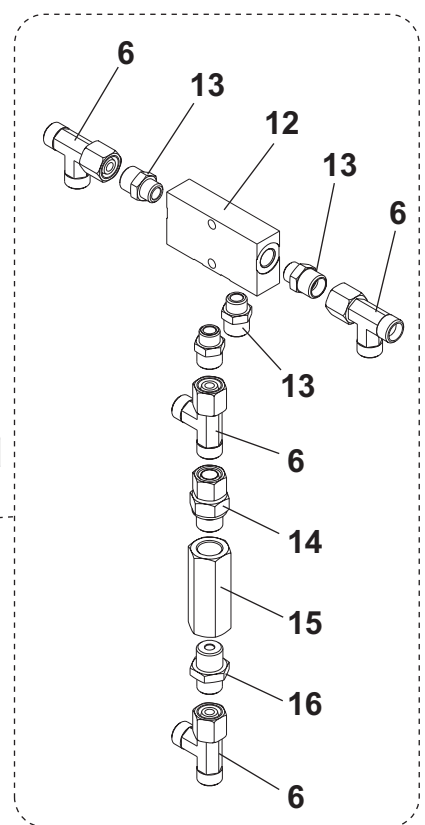
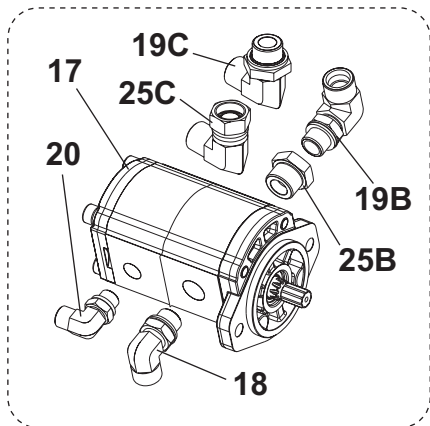
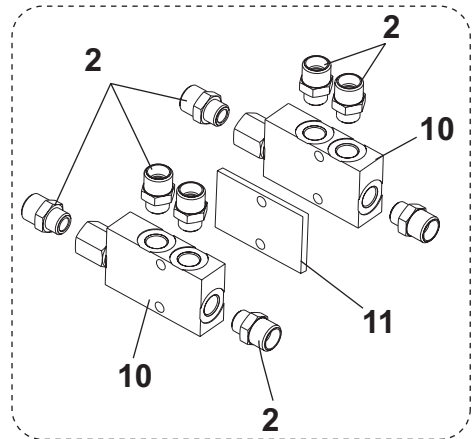
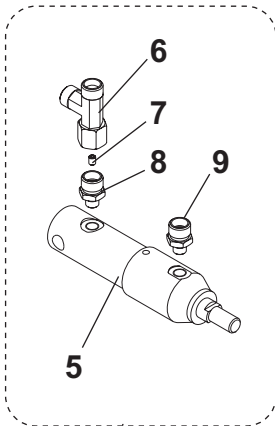
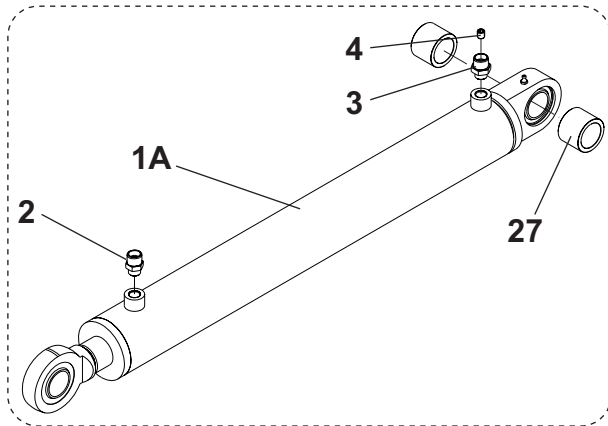
ASSY HYDRAULIC PLANT



ASSY HYDRAULIC PLANT

| | ITEM | REF. NO. | QTY | DESCRIPTION |
|---|------|--|-----|-----------------------------|
| | 1 | 33015917 | 5 | FITTINGS M3/8 |
| | 2 | 33016018 | 1 | FITTINGS M3/8 |
| | 3 | 33017052 | 1 | DISTRIBUTOR 3 ELEMENTS |
| | 4 | 33017752 | 1 | BRACKET |
| | 5 | 33017753 | 1 | BRACKET |
| | 6 | 145 5163 000 | 2 | PIPE FITTING |
| | 7 | 146 0505 000 | 8 | PIPE FITTING 3/8 D.10 |
| # | 8A | 33023044 | 1 | MOTOR HYDRAULIC 32 CC PKD |
| # | *A | 33023043 | 1 | GASKET MOTOR HYDRAULIC KIT |
| | *B | 33020765 | 1 | GASKET HYDRAULIC PUMP KIT |
| | 9 | 33017676 | 1 | DISTRIBUTOR 1 ELEMENT |
| | 10 | 33015348 | 2 | PIPE FITTING |
| | 11 | 33017431 | 1 | FILTER MEDIUM PRESSUR |
| | 12 | 33017595 | 1 | CARTRIDGE OIL FILTER |
| | 13 | 33021255 | 2 | MICRO CYLINDER |
| | * | 33022009 | 2 | GASKET MICRO CYLINDER |
| | 14 | 33018215 | 2 | DOWEL M5X6 DIAM 0,5 |
| | 15 | 33018222 | 2 | FITTING 1/8 |
| | 16 | 33018375 | 1 | FITTINGS 1/8" |
| | 17 | 33017432 | 1 | BLOCK HYD. HOSES |
| | 18 | 33011456 | 1 | CAP 1/2" |
| | 19 | 145 4291 000 | 1 | COPPER GASKET 1/2" |
| | 20 | 33018675 | 1 | DOWEL M12 DIAM 4 |
| | 21 | 33018676 | 1 | PIPE FITTING 1/2 D.15 |
| | 22 | 33015757 | 3 | FITTINGS M1/2 |
| | 23 | 33017003 | 1 | MOTOR SIDE BROOM |
| | * | 33020754 | 1 | GASKETS HYDRAULIC MOTOR KIT |
| | 24 | 33015874 | 2 | ELBOW 90 M1/2 |
| | 25 | 146 0507 000 | 1 | PIPE FITTING T D.10 |
| | 26 | 146 0093 00 | 1 | SCREW W/HOLE 1/8 |
| | 27 | 145 6020 000 | 2 | WASHER BONDED 1/8 |
| | | | | |
| | A: | STARTING FROM S.N. 091508810 | | |
| | B: | FOR MACHINE AFTER S.N. 103206080 (FOR REF. 33017004) | | |

ASSY HYDRAULIC PLANT



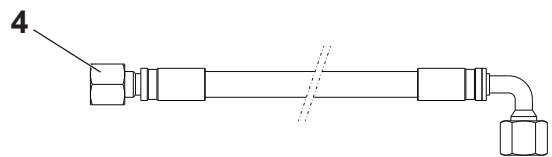
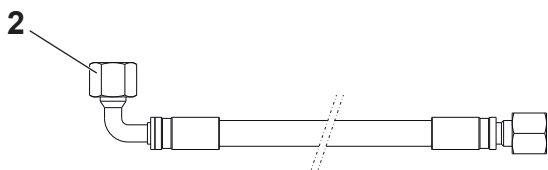
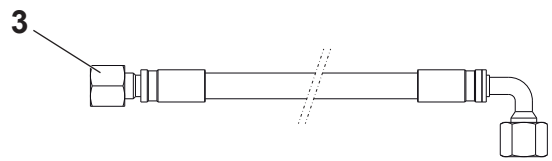
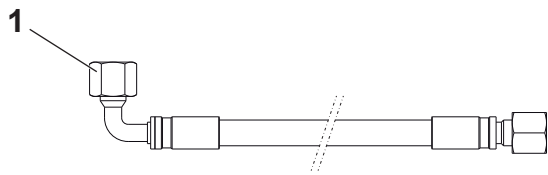
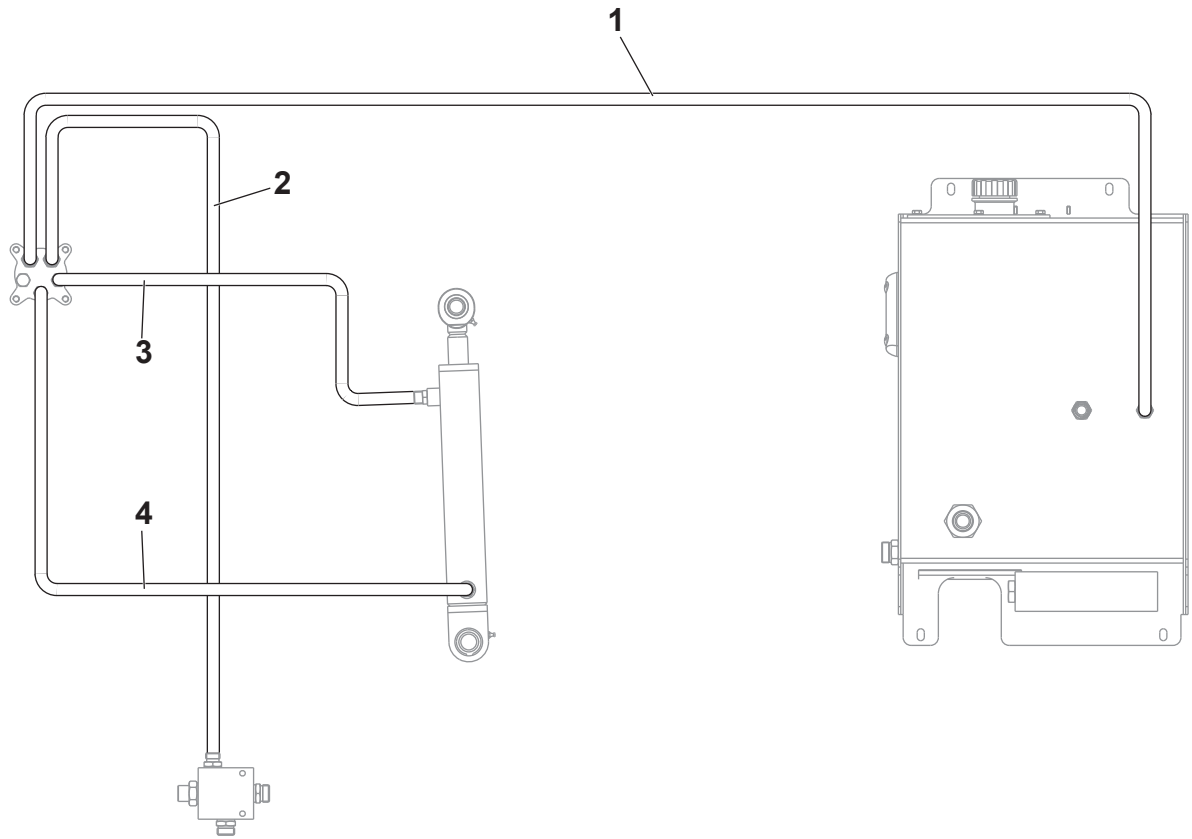
ASSY HYDRAULIC PLANT

| ITEM | REF. NO. | QTY | DESCRIPTION |
|------|---|-----|----------------------------------|
| 1A | 33021257 | 1 | CYLINDER HOPPER LIFT |
| * | 33011777 | 1 | GASKET CYLINDER KIT |
| 2 | 146 2977 000 | 11 | PIPE FITTING 1/4 D. 10 |
| 3 | 33018221 | 1 | FITTING 1/4" |
| 4 | 33019272 | 1 | DOWEL M8X8 DIAM 1 |
| 5 | 33021255 | 1 | MICRO CYLINDER |
| * | 33022009 | 1 | GASKET MICRO CYLINDER |
| 6 | 145 5163 000 | 5 | PIPE FITTING |
| 7 | 33018215 | 1 | DOWEL M5X6 DIAM 0,5 |
| 8 | 33018222 | 1 | FITTING 1/8 |
| 9 | 33018375 | 1 | FITTINGS 1/8" |
| 10 | 33022294 | 2 | VALVE SIMPLE CHECK |
| 11 | 33019712 | 1 | PLATE VALVES |
| 12 | 33010486 | 1 | CUTOFF VALVE 1/4 |
| 13 | 146 2977 000 | 4 | PIPE FITTING 1/4 D. 10 |
| 14 | 33018220 | 1 | FITTINGS M3/8"-F10L |
| 15 | 33010481 | 1 | VALVE 3/8 NONRETURN |
| 16 | 146 0505 000 | 1 | PIPE FITTING 3/8 D.10 |
| 17 | 33020224 | 1 | PUMP HYDRAULIC TWIN |
| * | 33020755 | 1 | GASKETS HYDRAULIC MOT.KIT |
| 18 | 33015874 | 1 | ELBOW 90 M1/2 |
| 19B | 33016362 | 1 | ELBOW |
| 19C | 33022395 | 1 | ADAPTER 90 CYL 3/4 M-M BSP |
| 20 | 33017808 | 1 | ELBOW |
| 21 | | 1 | MOTOR DRIVE (ITEM 8 SEE PAGE 35) |
| 22 | 33017002 | 2 | FITTING PIPE |
| 23 | 33021256 | 1 | STEERING CYLINDER |
| * | 33011774 | 1 | GASKET CYLINDER KIT |
| 24 | 33010508 | 1 | PORT, HYDRAULIC TEST 1/4" |
| * | 33020764 | 1 | GASKET HYDRAULIC PUMP KIT |
| 25B | 145 8867 000 | 1 | CAP REDUCTION 3/4-1/2 MF |
| 25C | 33022396 | 1 | ADAPTER 90 CYL 3/4 M-F BSP |
| 26 | 33022090 | 1 | WRENCH 14 |
| 27 | 33020812 | 2 | SPACER |
| A: | 33021257 - SEE PAGE 35 ITEM 10A AND SPEC | | |
| B: | 33016362 / 145 8867 000 - VALID FOR MACHINE CODE 13300107 BEFORE S.N. 3810123500027 | | |
| C: | 33022395 / 33022396 - VALID FOR MACHINE CODE 13300107 STARTING S.N. 3810123500027 | | |

HYDRAULIC PLANT - DRIVE MOTOR SCHEME

| ITEM | REF. NO. | QTY | DESCRIPTION |
|------|--|-----|-------------------------------|
| 1 | 33017649 | 1 | HOSE HYDRAULIC 1/2 L= 450 |
| 2 | 33018632 | 1 | HOSE HYDRAULIC 1/2 L=1500 |
| 3 | 33017641 | 1 | HOSE HYDRAULIC 1/2 L=1470 |
| 4 | 33017630 | 1 | HOSE HYDRAULIC 1/2 L=1470 |
| 5 | 33019639 | 1 | HOSE HYDRAULIC 1/2 L=1120 |
| 6A | 33017651 | 1 | HOSE HYDRAULIC 3/4 L= 900 |
| 6B | 33022399 | 1 | HOSE HYDRAULIC R1AT 3/4 L 840 |
| 7 | 33019640 | 1 | HOSE HYDRAULIC 1/2 L=1115 |
| 8 | 33017620 | 1 | HOSE HYDRAULIC 1/2 L 660 |
| 9 | 33011456 | 1 | CAP MALE 1/2 |
| A: | 33017651 - VALID FOR MACHINE CODE 13300107 BEFORE S.N. 3810123500027 | | |
| B: | 33022399 - VALID FOR MACHINE CODE 13300107 STARTING S.N. 3810123500027 | | |

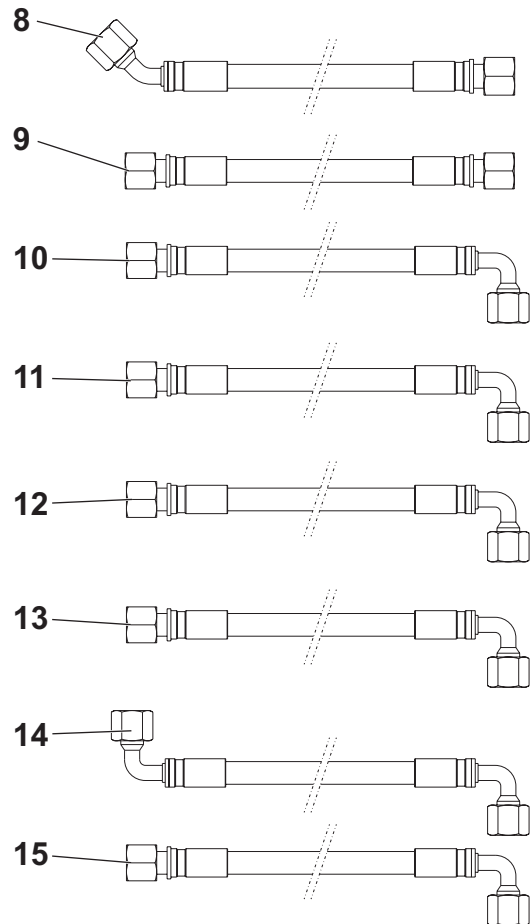
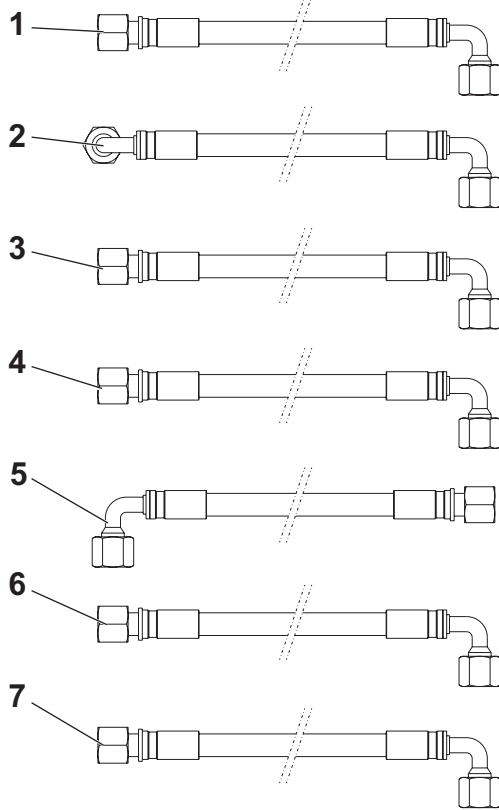
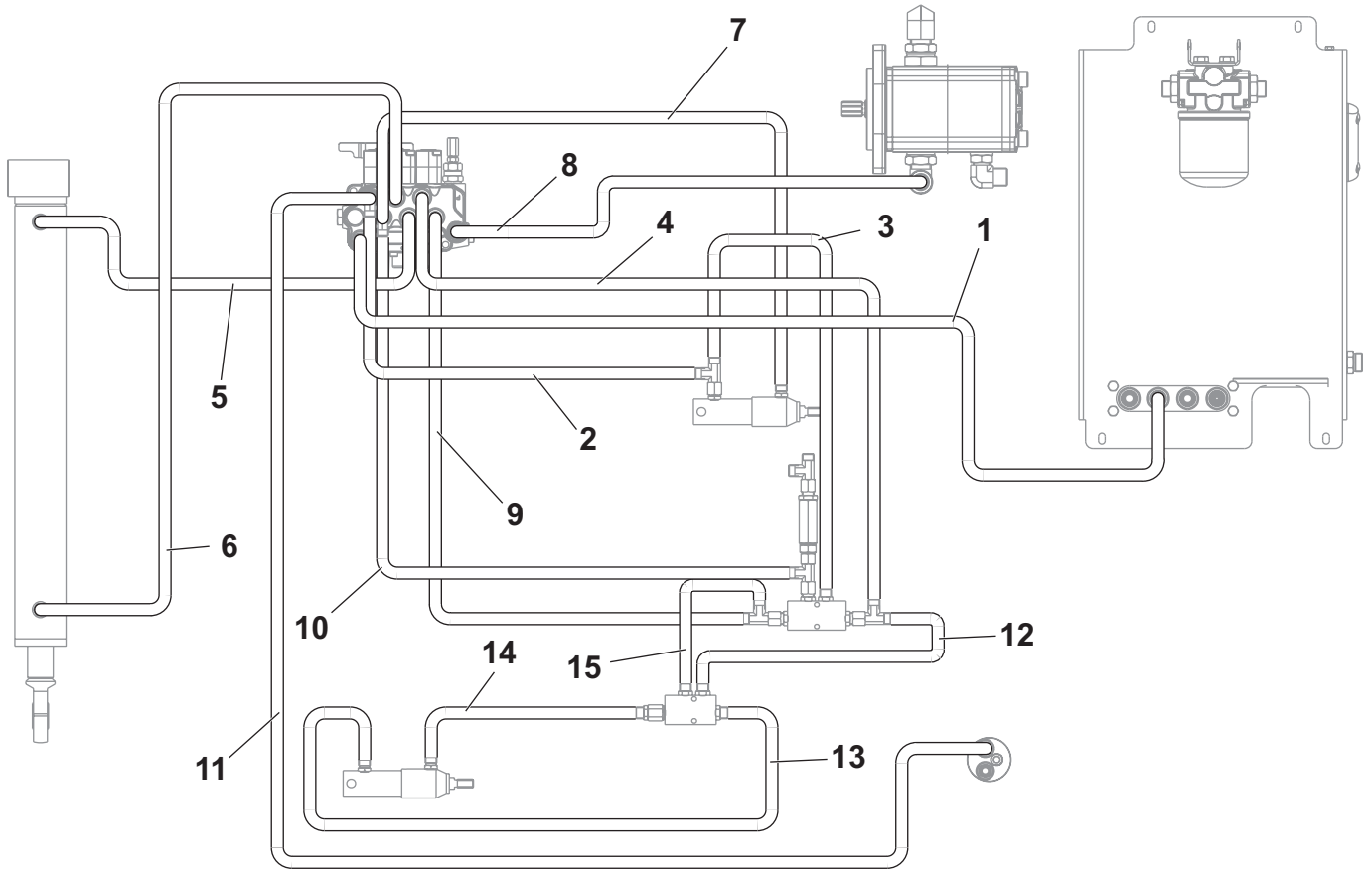
HYDRAULIC PLANT - STEERING SCHEME



HYDRAULIC PLANT - STEERING SCHEME

| | ITEM | REF. NO. | QTY | DESCRIPTION |
|--|------|----------|-----|---------------------------|
| | 1 | 33020136 | 1 | HOSE HYDRAULIC 3/8 L 1000 |
| | 2 | 33020137 | 1 | HOSE HYDRAULIC 3/8 L 1380 |
| | 3 | 33017622 | 1 | HOSE HYDRAULIC 1/4 L=1320 |
| | 4 | 33017625 | 1 | HOSE HYDRAULIC 1/4 L=1000 |

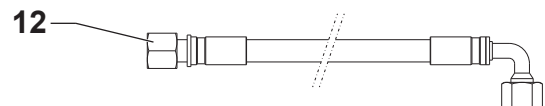
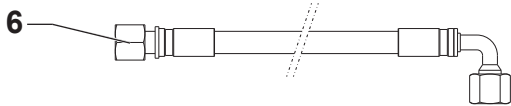
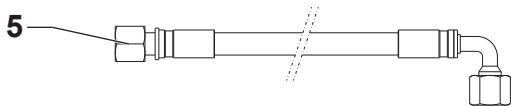
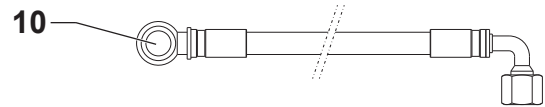
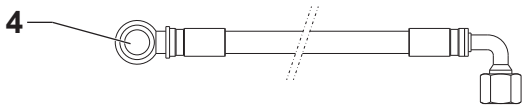
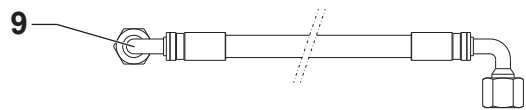
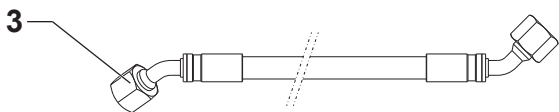
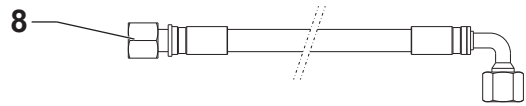
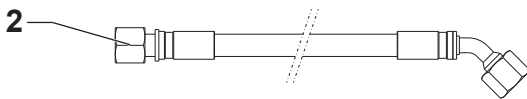
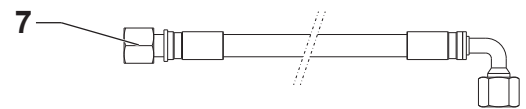
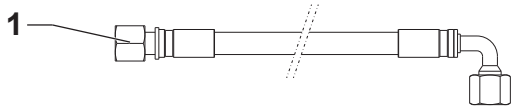
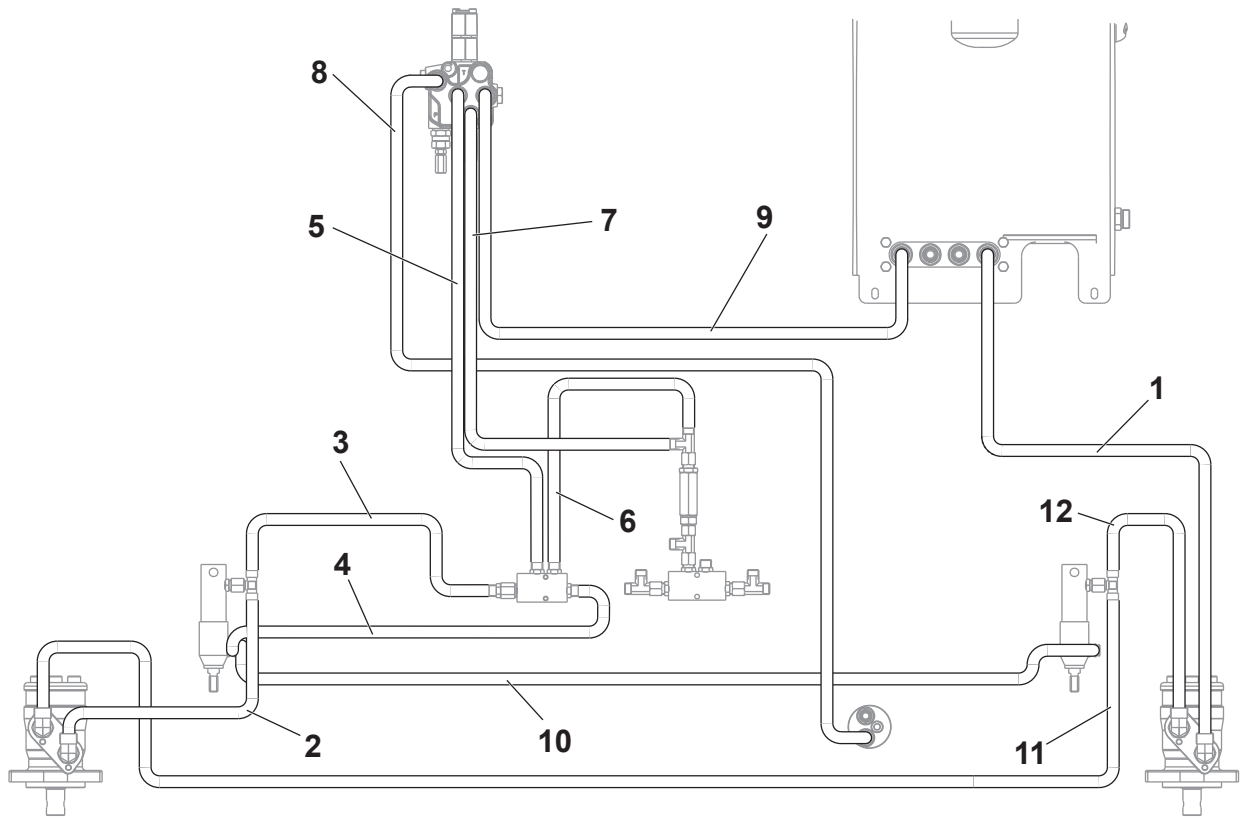
HYDRAULIC PLANT - FLAP AND HOPPER SCHEME



HYDRAULIC PLANT - FLAP AND HOPPER SCHEME

| ITEM | REF. NO. | QTY | DESCRIPTION |
|------|----------|-----|---------------------------|
| 1 | 33017650 | 1 | HOSE HYDRAULIC 1/2 L=1050 |
| 2 | 33017635 | 1 | HOSE HYDRAULIC 1/4 L=1580 |
| 3 | 33017634 | 1 | HOSE HYDRAULIC 1/4 L= 500 |
| 4 | 33017628 | 1 | HOSE HYDRAULIC 1/4 L=1560 |
| 5 | 33017652 | 1 | HOSE HYDRAULIC 1/4 L= 650 |
| 6 | 33017627 | 1 | HOSE HYDRAULIC 1/4 L= 460 |
| 7 | 33017632 | 1 | HOSE HYDRAULIC 1/4 L=1650 |
| 8 | 33020284 | 1 | HOSE HYDRAULIC 1/2 L 340 |
| 9 | 33017653 | 1 | HOSE HYDRAULIC 1/4 L=1340 |
| 10 | 33017633 | 1 | HOSE HYDRAULIC 1/4 L=1390 |
| 11 | 33017655 | 1 | HOSE HYDRAULIC 3/8 L=1350 |
| 12 | 33019714 | 1 | HOSE HYDRAULIC 1/4 L= 450 |
| 13 | 33017638 | 1 | HOSE HYDRAULIC 1/4 L=3020 |
| 14 | 33017647 | 1 | HOSE HYDRAULIC 1/4 L=2320 |
| 15 | 33019713 | 1 | HOSE HYDRAULIC 1/4 L= 450 |

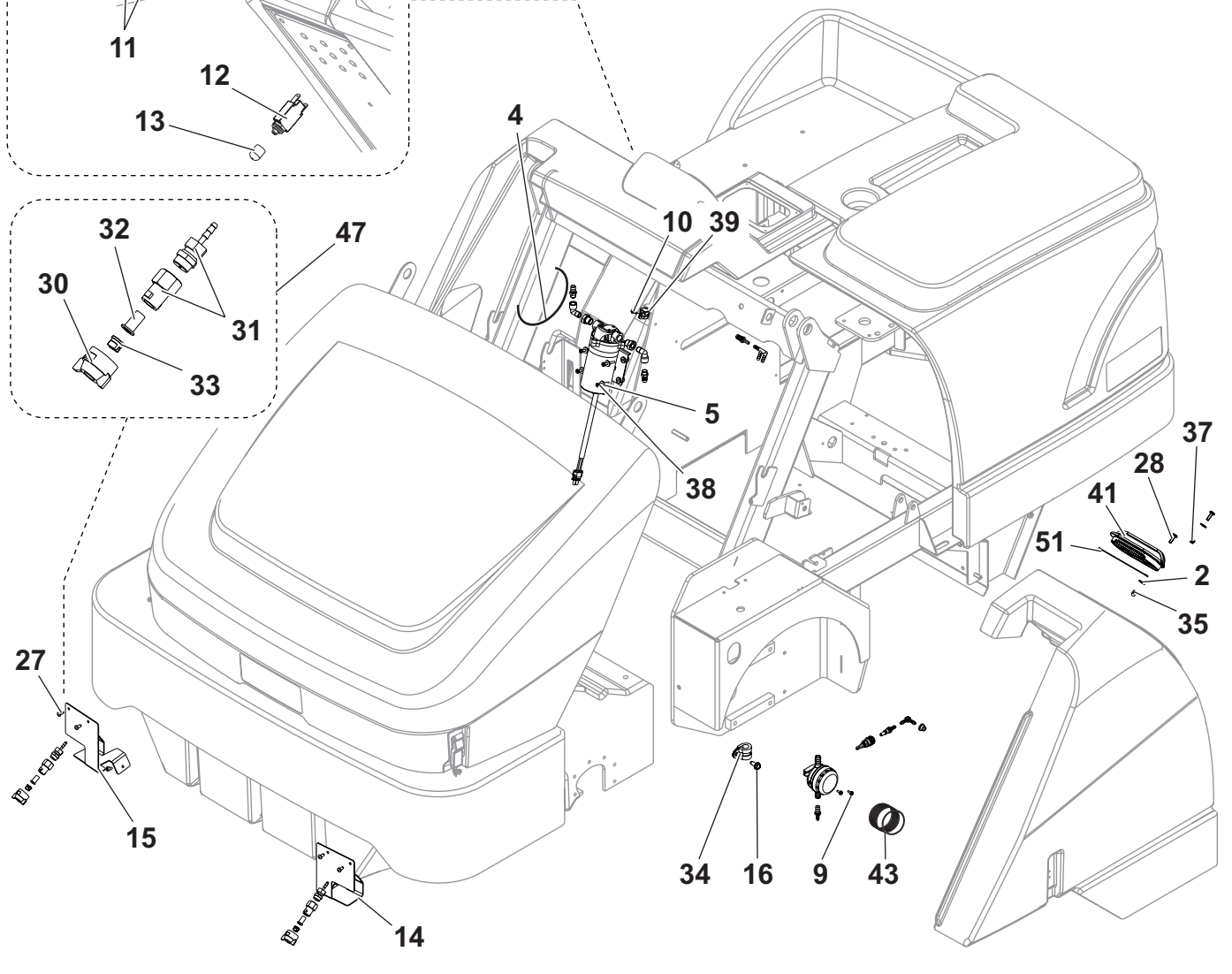
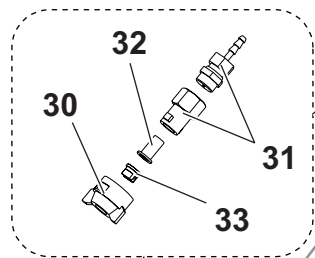
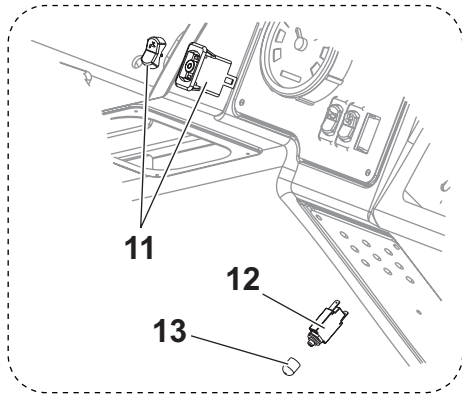
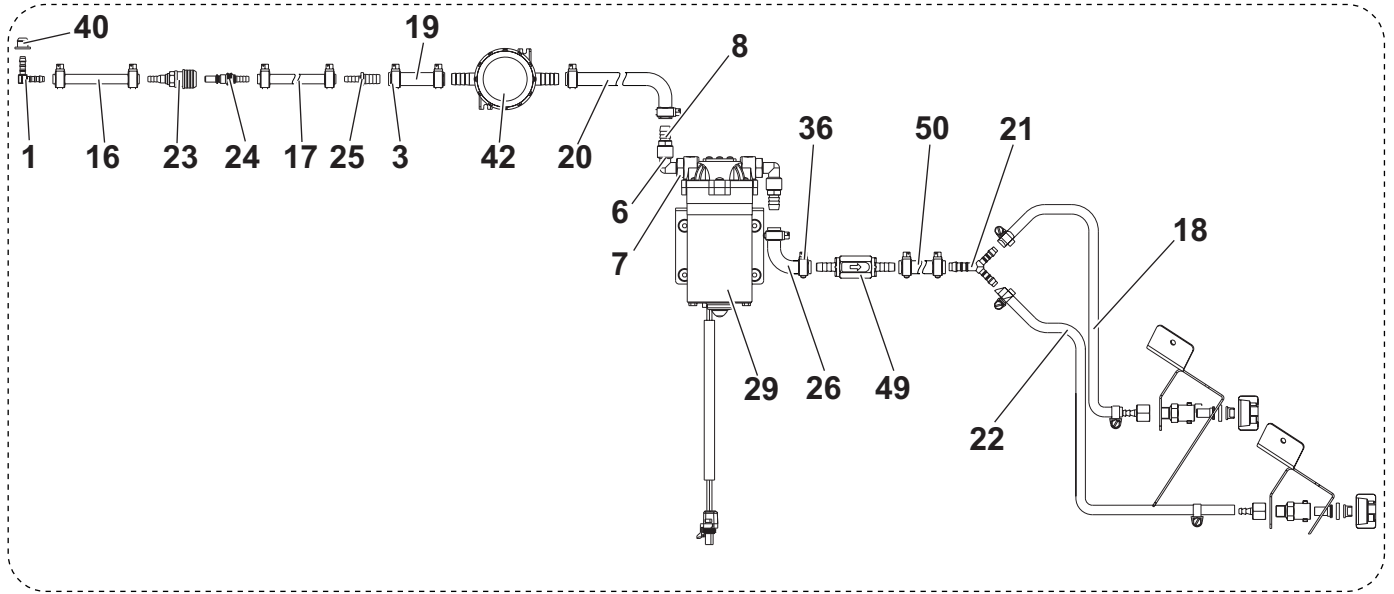
HYDRAULIC PLANT - SIDE BROOM SCHEME



HYDRAULIC PLANT - SIDE BROOM SCHEME

| ITEM | REF. NO. | QTY | DESCRIPTION |
|------|----------|-----|---------------------------|
| 1 | 33017645 | 1 | HOSE HYDRAULIC 1/2 L=2170 |
| 2 | 33017640 | 1 | HOSE HYDRAULIC 3/8 L= 625 |
| 3 | 33017654 | 1 | HOSE HYDRAULIC 1/4 L=2600 |
| 4 | 33017643 | 1 | HOSE HYDRAULIC 1/4 L=3400 |
| 5 | 33017646 | 1 | HOSE HYDRAULIC 1/4 L=1460 |
| 6 | 33017637 | 1 | HOSE HYDRAULIC 1/4 L= 330 |
| 7 | 33017639 | 1 | HOSE HYDRAULIC 1/4 L=1620 |
| 8 | 33017631 | 1 | HOSE HYDRAULIC 3/8 L=1520 |
| 9 | 33017648 | 1 | HOSE HYDRAULIC 1/2 L=1050 |
| 10 | 33017644 | 1 | HOSE HYDRAULIC 1/4 L=2500 |
| 11 | 33017629 | 1 | HOSE HYDRAULIC 3/8 L=2900 |
| 12 | 33017642 | 1 | HOSE HYDRAULIC 3/8 L= 660 |

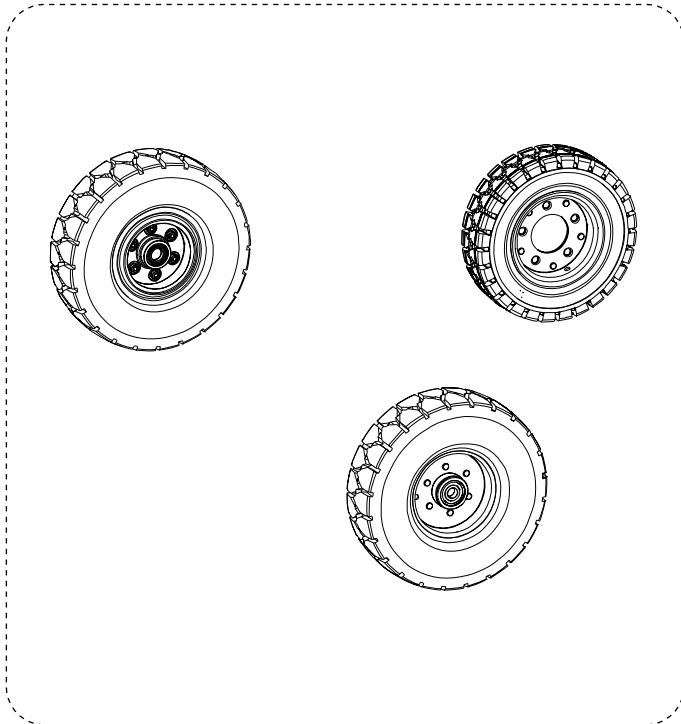
ACCESSORIES



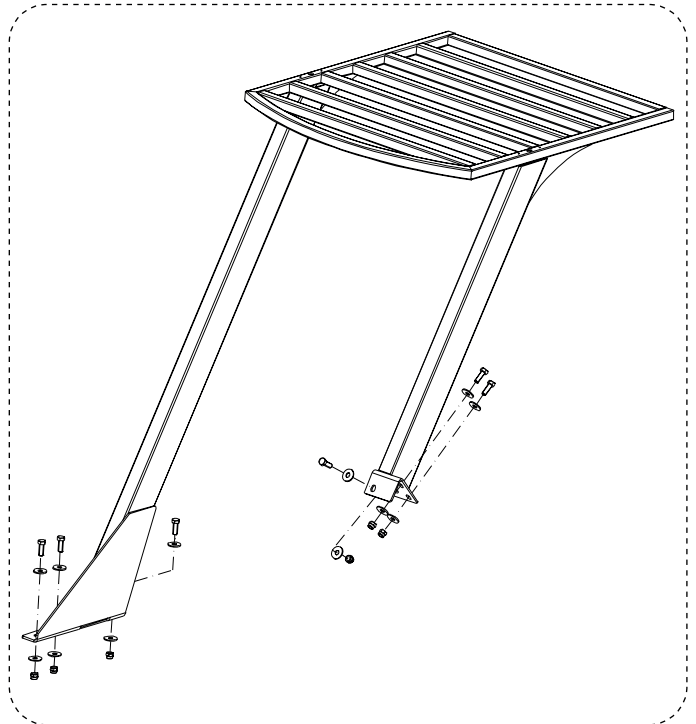
ACCESSORIES

| | ITEM | REF. NO. | QTY | DESCRIPTION |
|---|-------|---------------------|----------|--|
| | 1 | 33020824 | 1 | ELBOW 90. D. 8 NYLON |
| | 2 | | 2 | WASHER 6X18X1.5 UNI6593 |
| | 3 | | 8 | CLAMP |
| | 4 | | 6 | CLAMP 9X350 |
| | 5 | | 4 | WASHER 5X15 UNI6593 |
| | 6 | 33011224 | 2 | FITTING1/4 |
| | 7 | 33011494 | 2 | REDUCTION GEAR MF 3/8 1 |
| | 8 | 33011522 | 2 | RUBBER SEAL HOLDER 1/4 D |
| | 9 | | 2 | SCREW THREAD ROLLING |
| | 10 | | 1 | SCREW THREAD ROLLING |
| | 11 | 33019325 | 1 | SWITCH WATER FLUSHING KIT (SW6) |
| | 12 | 33019709 | 1 | BREAKER CIRCUIT 2A (F3) |
| | 13 | 33017386 | 1 | BOOT CIRCUIT BREKER |
| | 14 | 33017927 | 1 | BRACKET LEFT SIDE |
| | 15 | 33017928 | 1 | BRACKET RIGHT SIDE |
| | 16 | | 2 | SCREW THREAD ROLLING |
| | 17 | | 1 | HOSE CRISTAL 6X11 L 480 |
| | 18 | | 1 | HOSE CRISTAL 6X11 L 2020 |
| | 19 | | 1 | HOSE D.10 L 65 |
| | 20 | | 1 | HOSE D.10 L 1400 |
| | 21 | 33020820 | 1 | ELBOW Y D.6-8-6 |
| | 22 | | 1 | HOSE CRISTAL 6X11 L 2740 |
| | 23 | 1465915000 | 1 | CONNECTOR |
| | 24 | 1465916000 | 1 | CONNECTOR |
| # | 25 | 9100000453 | 1 | FITTING STRAIGHT REDUCER |
| | 26 | | 1 | HOSE D.10 L 60 |
| | 27 | | 6 | SCREW 6X20 |
| | 28 | | 2 | SCREW M6X20 |
| | 29 | 33019726 | 1 | PUMP WATER KIT (M3) |
| | 30 | 33020817 | 2 | RING NUT QUICK COUPLING |
| | 31 | 33020865 | 2 | ADAPTER SPRAY KIT |
| | 32 | 33022026 | 2 | FILTER NOZZLE SPRAY |
| | 33 | 33020816 | 2 | NOZZLE SPRAY |
| | 33 | 33022072 | 2 | NOZZLE SPRAY 0.53 |
| | 34 | | 1 | COLLAR D.10 |
| | 35 | | 1 | NUT HEX M6 UNI5721 |
| | 36 | 145 8582 000 | 8 | CLAMP HOSE |
| | 37 | | 1 | NUT SELF LOCKING M6 SS |
| | 38 | | 4 | SCREW 4.5X40 |
| | 39 | | 1 | CLAMP HOSE D.18 |
| | 40 | 909 6089 000 | 1 | CHOCK D.18 |
| | 41 | 9097385000 | 1 | CAP SOLUTION TANK |
| # | 42 | 9100000362 | 1 | FILTER WATER |
| # | 43 | 9099481000 | 1 | NET WATER FILTER REINFORCED |
| | [44] | 33019249 | 1 | HARNESS MISTING SYSTEM |
| | [45]* | 33019377 | 1 | PRE MISTING SYSTEM 48V KIT |
| | | 33019375 | 1 | INSTRUCTIONS ASSEMBLY |
| | 47 | 33019324 | 2 | NOZZLE SPRAY KIT (ITEM 30-31-32-33) |
| | [48] | 33019326 | 1 | HOSES/FITTINGS MISTING SYSTEM KIT (ITEM 21-23-24-25-6-7-8-3-4-39-40-1-17-18-19-20-26-22) |
| | 49A | 33021303 | 1 | KIT CHECK VALVE |
| | 50A | | 1 | HOSE D.10 L 780 |
| | 50A | 33022092 | 1 | HOSE POLYESTER YARN REINF. D.10 |
| | 51 | 9097485000 | 1 | CABLE OPENING CAP |
| | A: | SEE TSB IT 2012-083 | | |

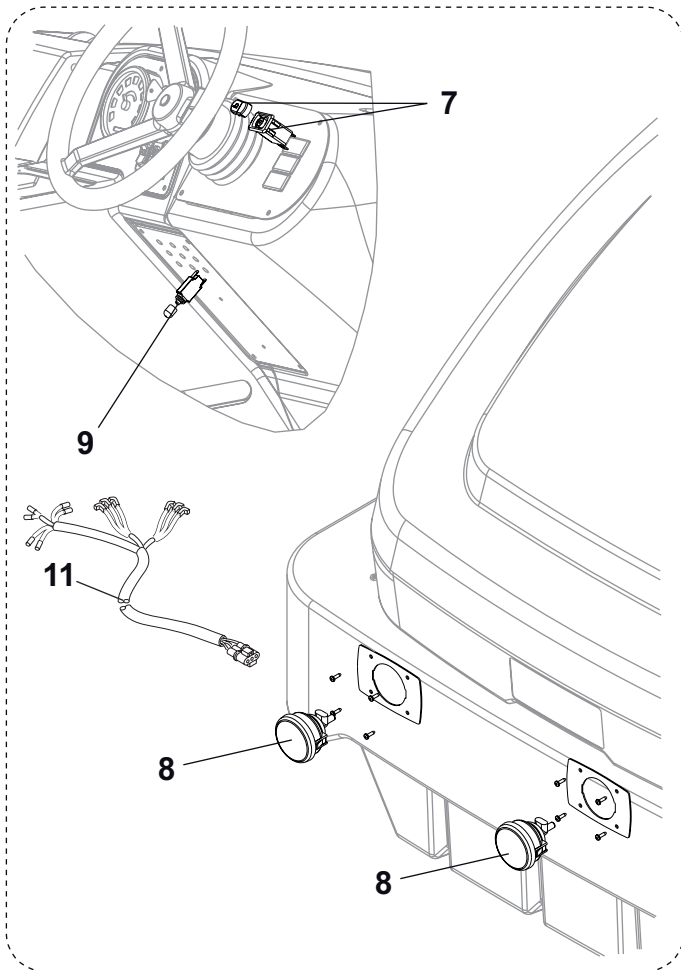
ACCESSORIES



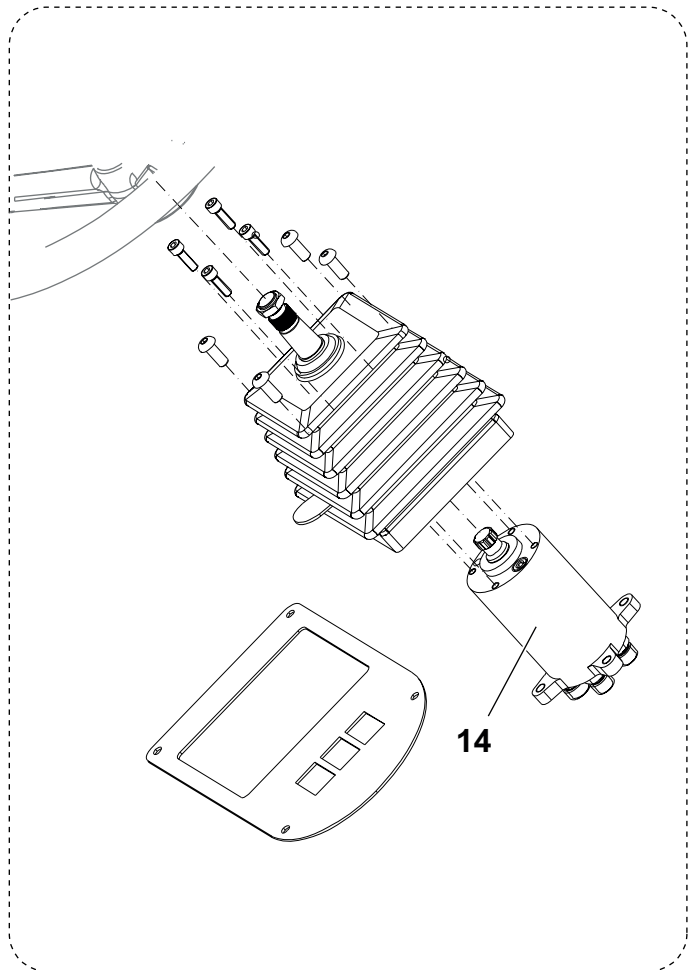
1



2



5

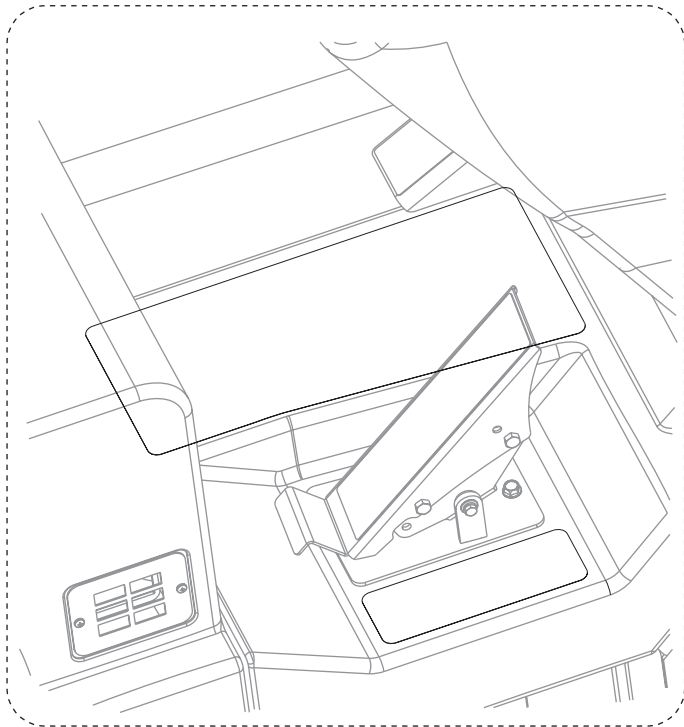


12

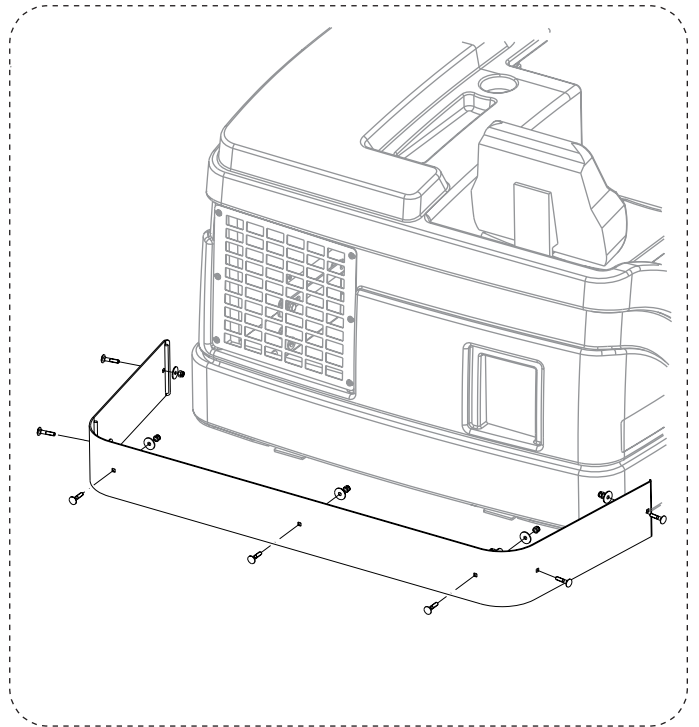
ACCESSORIES

| | ITEM | REF. NO. | QTY | DESCRIPTION |
|---|--------------|-----------------|----------|--|
| | 1* | 33019172 | 1 | WHEEL SOLID NON MARKING KIT |
| | | | 1 | WHEEL 4.00-8 NO MARK VERS |
| | | | 2 | WHEEL 5.00-8 NO MARK VERS |
| | 2* | 33019171 | 1 | OVER HEAD GUARD KIT |
| | | 33020629 | 1 | INSTRUCTIONS ASSEMBLY |
| | | | 6 | NUT SELF L. M12 UNI7473 |
| | | | 6 | SCREW M12X35 UNI5739 |
| | | | 12 | WASHER 12X36X3 UNI6593 |
| | | | 1 | OVER HEAD GUARD |
| | [3]* | 56508663 | 1 | MIRROR KIT |
| | | 56040968 | 1 | INSTRUCTIONS ASSEMBLY |
| | 5* | 33019560 | 1 | FRONT LIGHT 48V KIT |
| | | 33019201 | 1 | INSTRUCTIONS ASSEMBLY |
| | 7 | 33019736 | 1 | SWITCH FRONT LIGHT |
| | 8 | 33019229 | 2 | HEADLIGHT 24V (L1/L2) |
| | 9 | 33017361 | 1 | BREAKER CIRCUIT 10A (F6) |
| | [10] | 33019734 | 2 | LAMP |
| | 11 | 33019220 | 1 | HARNESS FRONT HEADLIGHT |
| | | | 2 | PLATE FOR FRONT LIGHT |
| | | | 8 | SCREW 4.8X19 UNI6954 |
| | 12* | 33019174 | 1 | TILT STEERING KIT |
| | | 33019157 | 1 | INSTRUCTIONS ASSEMBLY |
| | 14 | 33022286 | 1 | STEERING UNIT KIT |
| | * | 33022033 | 1 | GASKET STEERING UNIT |
| | | | 4 | SCREW M6X20 UNI5931 |
| | | | 1 | STEERING TILT |
| | | | 1 | STEERING WHEEL |
| | | | 1 | COVER PLATE TILT STEERING |
| # | [15]* | 56507039 | 1 | AMBER STROBE LIGHT FOR USE WITH OHG |
| # | | 56040899 | 1 | ASSEMBLY INSTRUCTION |
| # | [16] | 33022486 | 1 | HARNESS BEACON FOR OHG KIT |
| # | | 33022485 | 1 | ASSEMBLY INSTRUCTION |
| # | [17]* | 56507038 | 1 | FLASHING BEACON |
| # | | 56040898 | 1 | INSTALLATION INSTRUCTIONS |
| # | [18] | 33022681 | 1 | HARDWARE BEACON KIT |

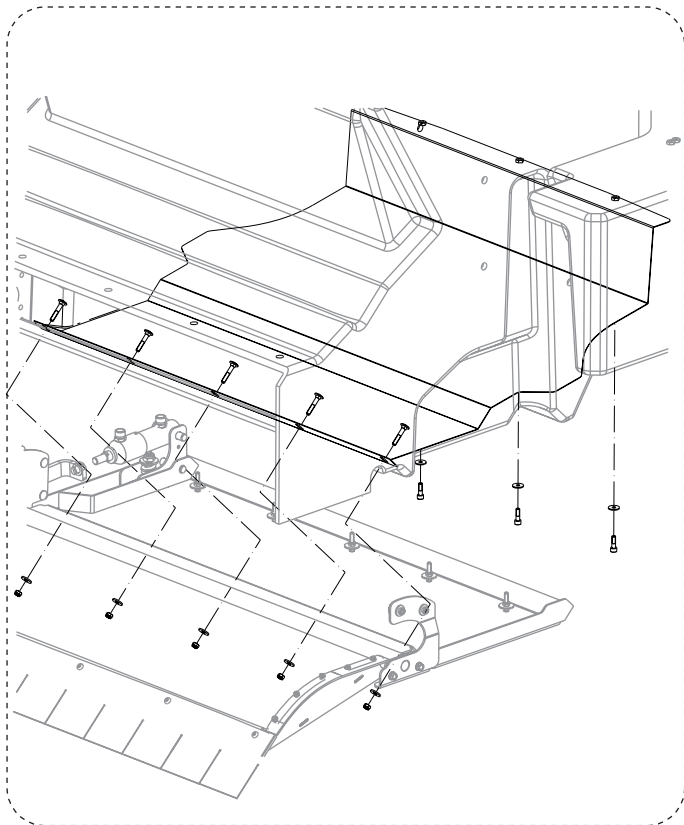
ACCESSORIES



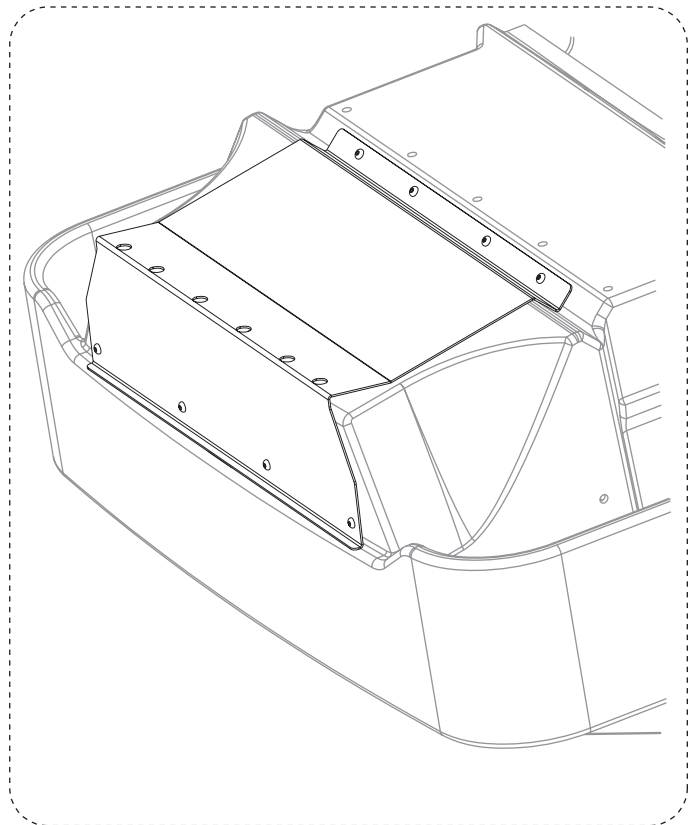
1



3



5



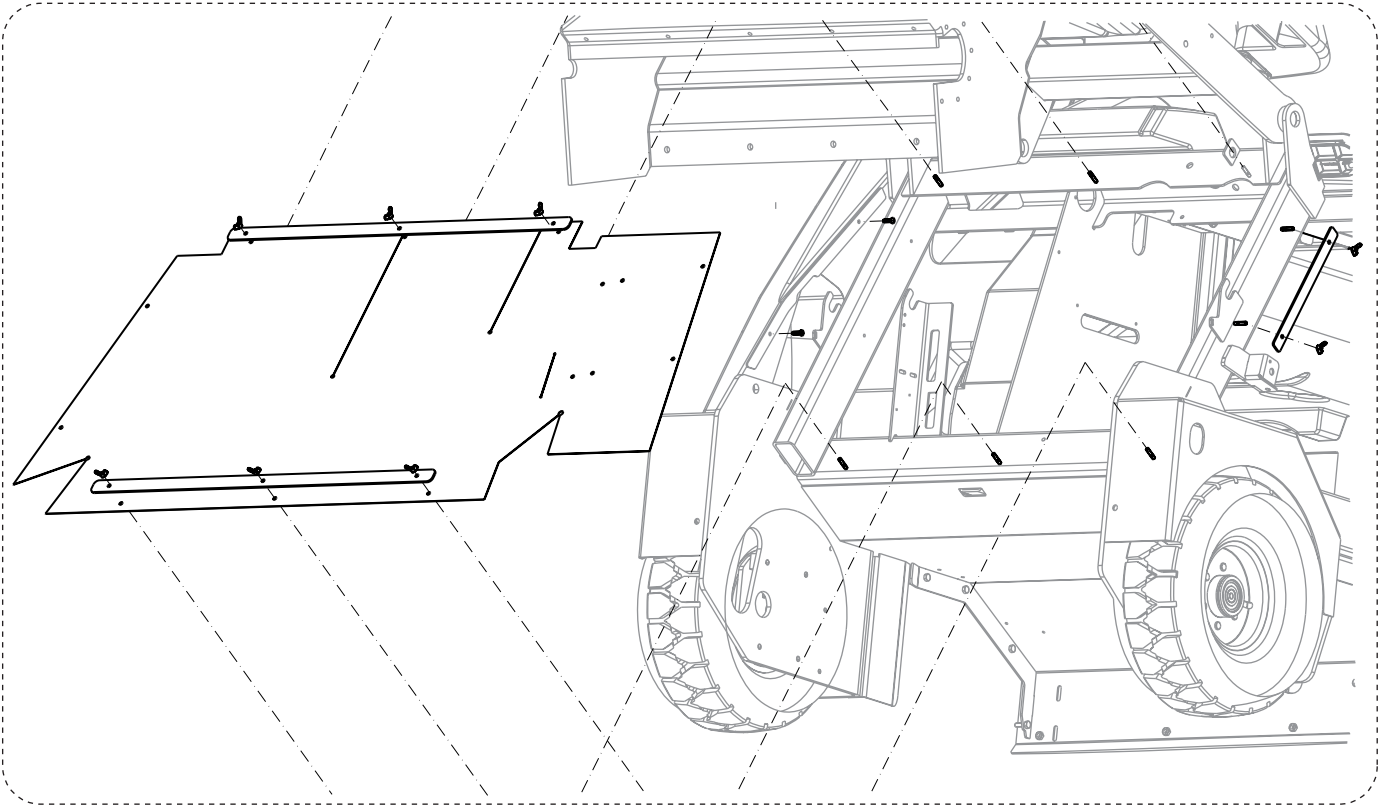
7

ACCESSORIES

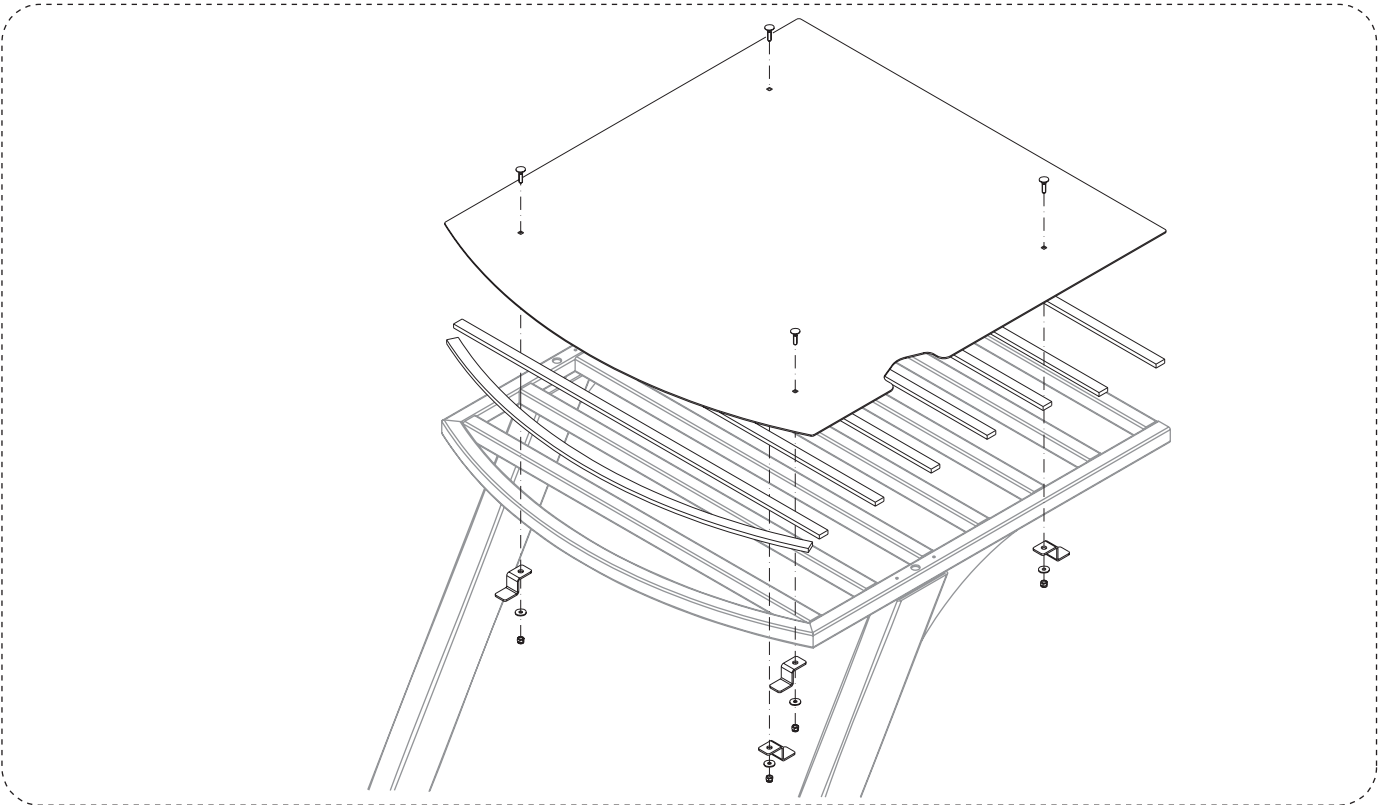
| | ITEM | REF. NO. | QTY | DESCRIPTION |
|--|-----------|-----------------|----------|-------------------------------|
| | 1* | 33019570 | 1 | MAT FLOOR KIT |
| | | 33019195 | 1 | INSTRUCTIONS ASSEMBLY |
| | 3* | 33019572 | 1 | GUARD REAR BUMPER KIT |
| | | 33019205 | 1 | INSTRUCTIONS ASSEMBLY |
| | 5* | 33019573 | 1 | METAL LINER HOPPER KIT |
| | | 33019207 | 1 | INSTRUCTIONS ASSEMBLY |
| | 7* | 33021392 | 1 | FRONT PROTECTION KIT |
| | | 33021393 | 1 | INSTRUCTIONS ASSEMBLY |

ACCESSORIES

1



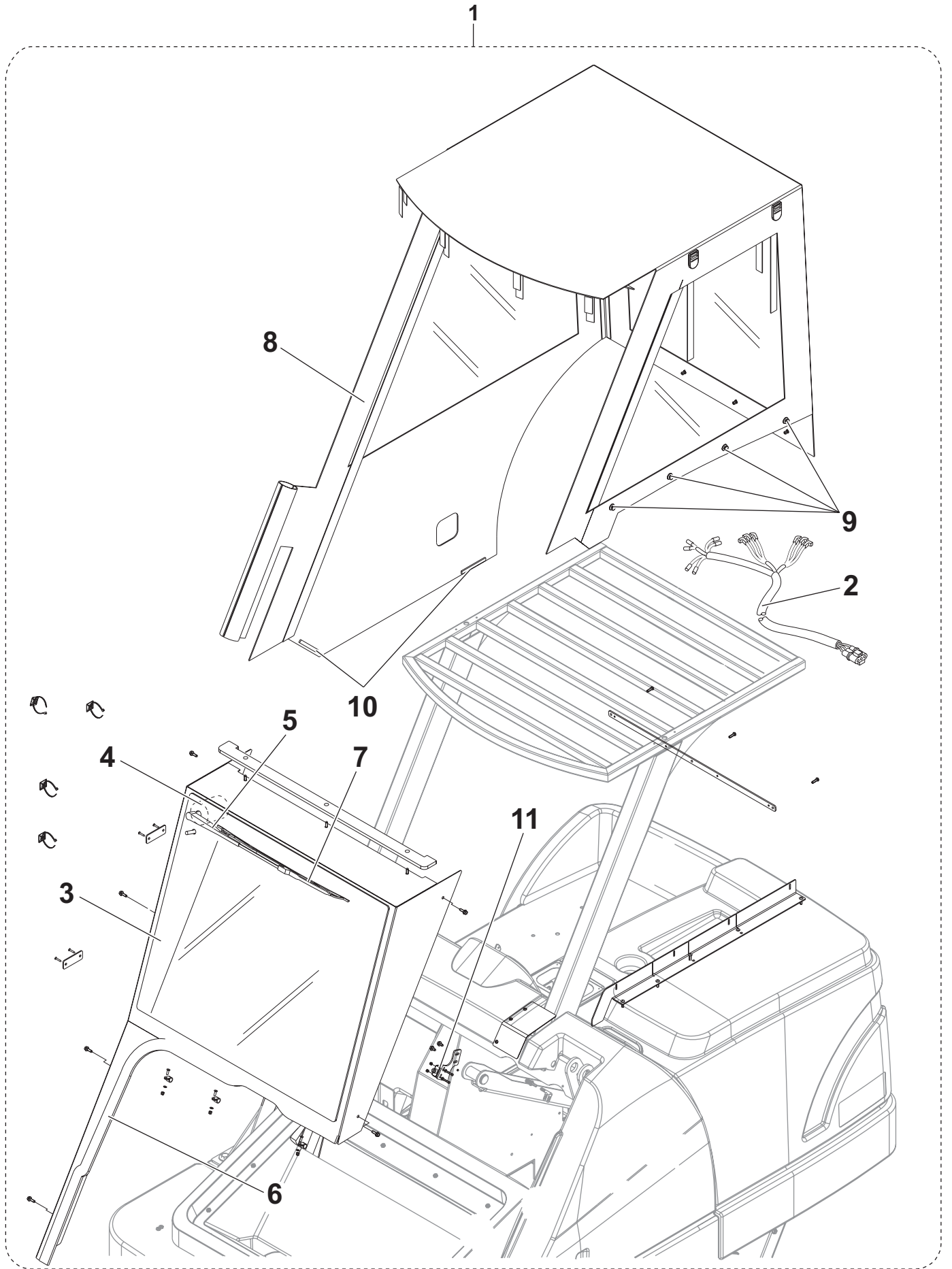
2



ACCESSORIES

| | ITEM | REF. NO. | QTY | DESCRIPTION |
|--|-----------|-----------------|----------|-----------------------|
| | 1 | 33020372 | 1 | HOPPER DUST FLAP KIT |
| | | 33020373 | 1 | INSTRUCTIONS ASSEMBLY |
| | 2* | 33020052 | 1 | CANOPY KIT |
| | | 33020051 | 1 | INSTRUCTIONS ASSEMBLY |

ACCESSORIES



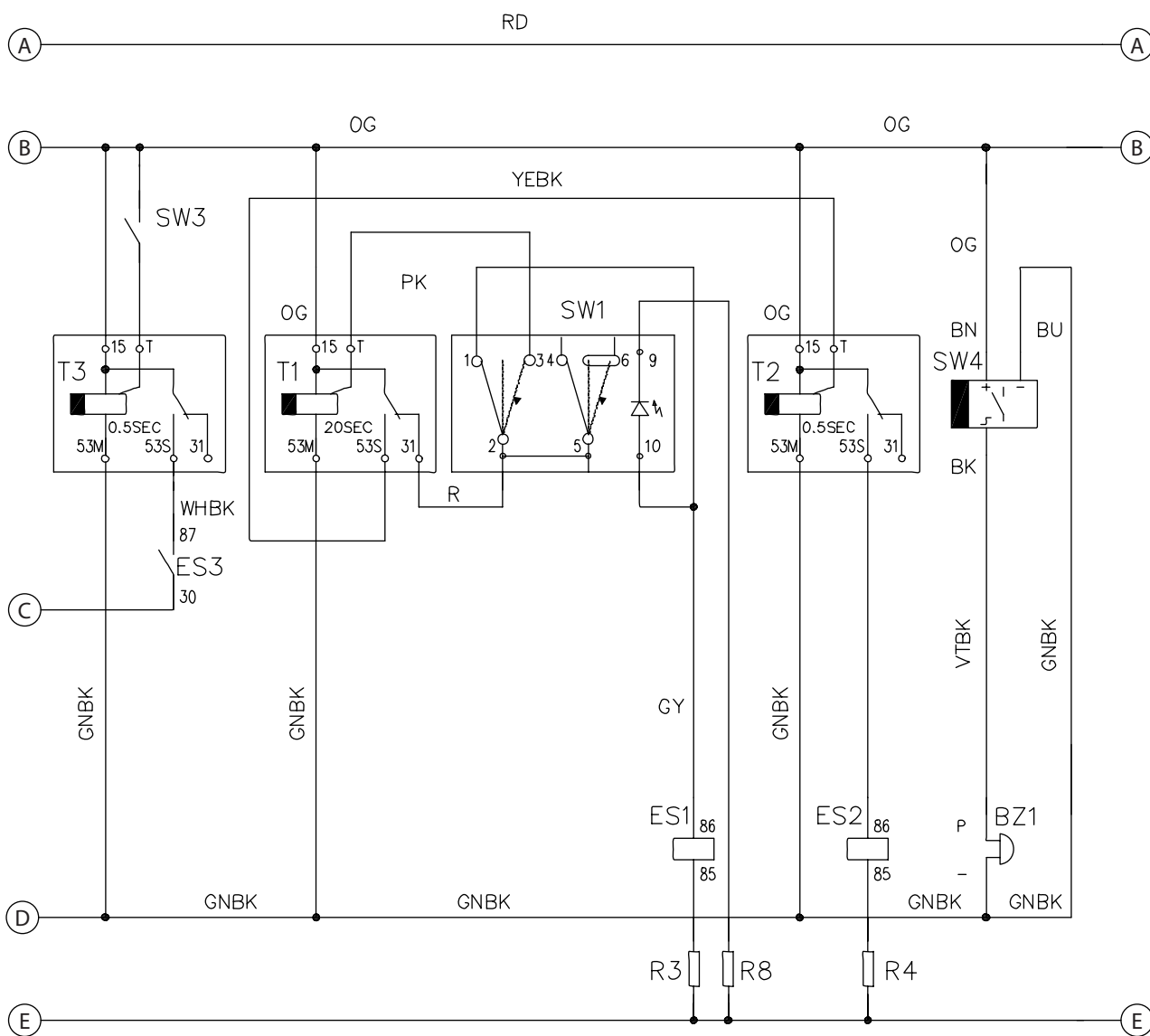
ACCESSORIES

| | ITEM | REF. NO. | QTY | DESCRIPTION |
|--|------|----------|-----|--------------------------|
| | 1* | 33020002 | 1 | CANOPY KIT |
| | | 33020001 | 1 | INSTRUCTIONS ASSEMBLY |
| | 2 | 33020456 | 1 | HARNESS WINDSCREEN WIPER |
| | 3 | 33020288 | 1 | WINDSCREEN |
| | 4 | 33020457 | 1 | MOTOR WINDSCREEN WIPER |
| | 5 | 33020571 | 1 | ARM WINDSCREEN WIPER |
| | 6 | 33020623 | 1 | GASKET |
| | 7 | 33020460 | 1 | WINDSCREEN WIPER |
| | 8 | 33020292 | 1 | CABIN SOFT |
| | 9 | 33020461 | 8 | COUPLING QUICK LOCK |
| | 10 | 33020611 | 2 | MAGNET FIXING CABIN |
| | 11 | 33020459 | 1 | MICROSWITCH 16A 250V |

WIRING DIAGRAM - PAGE 2

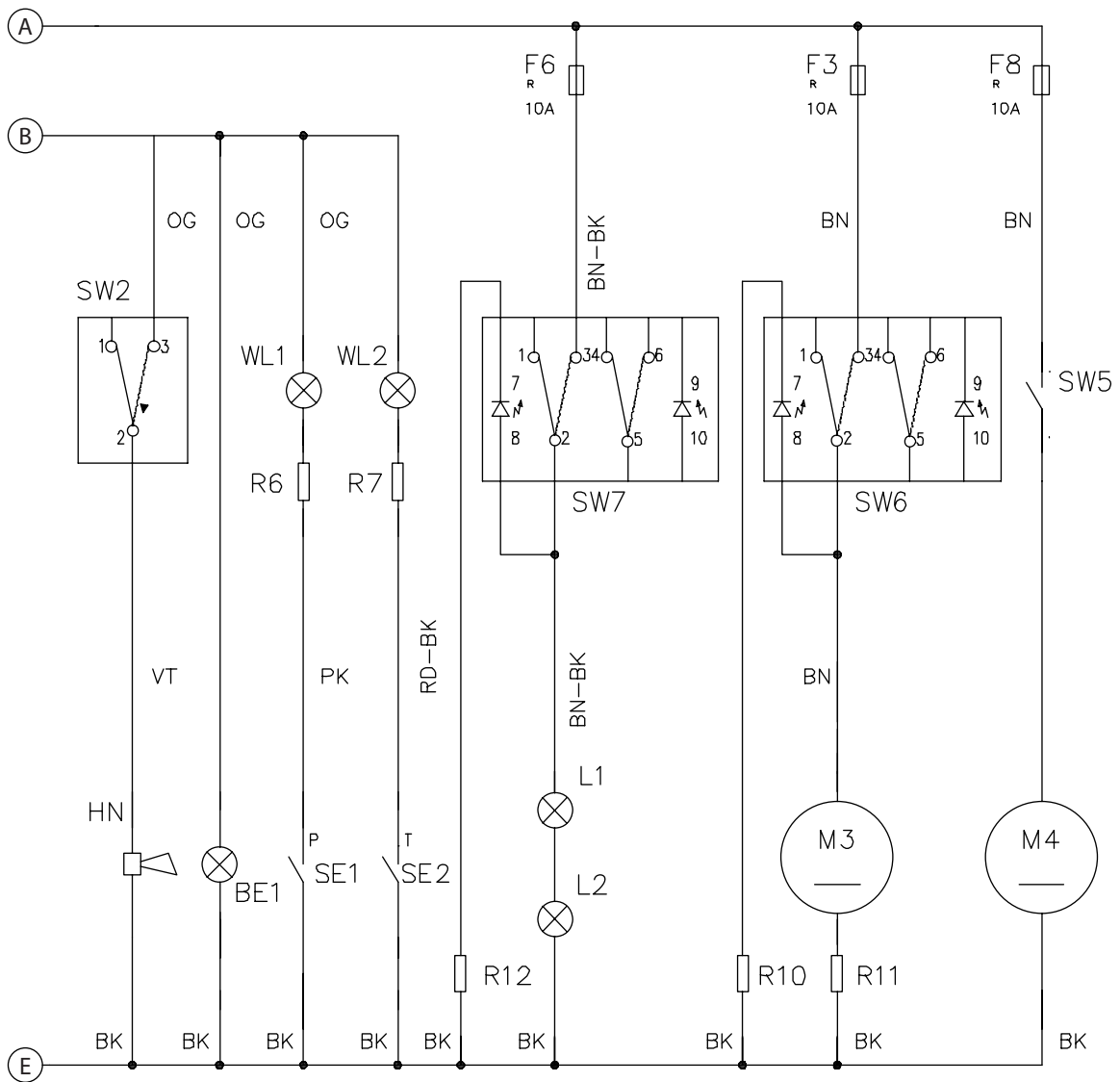
PAGE 1

PAGE 3



WIRING DIAGRAM - PAGE 3

PAGE 2
←



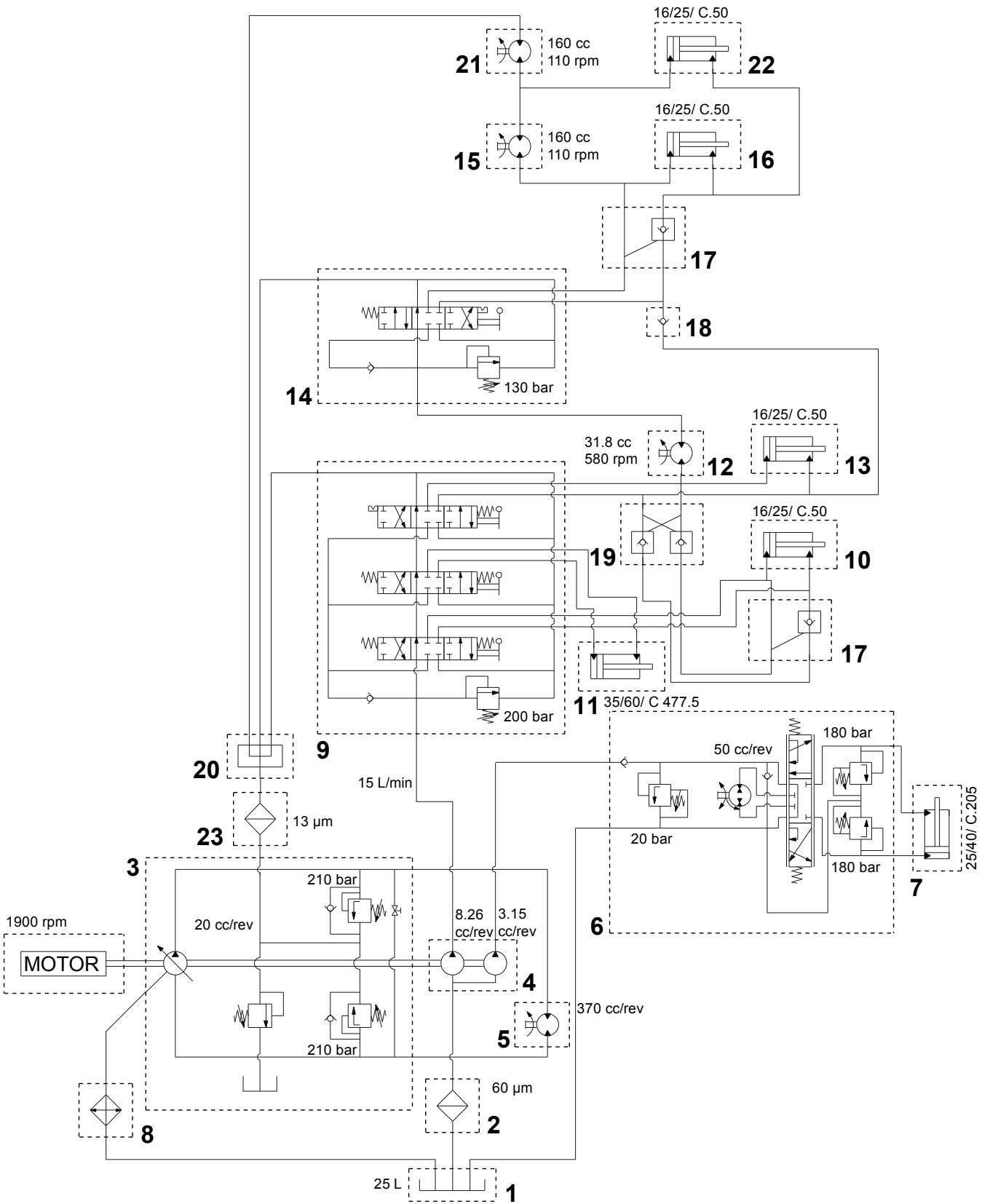
WIRING DIAGRAM - PAGE 4

| KEY | REF. NO. | DESCRIPTION |
|------|--------------|--|
| BAT | 80562010 | BATTERY 48V (OPTIONAL) |
| BE1 | 56305223 | PIVOTING LIGHT |
| BZ1 | 33022643 | REVERSE GEAR BUZZER |
| C1 | 33019166 | BATTERY CONNECTOR |
| D1 | NA | DIODE |
| ES0 | 33017449 | PRIMARY HYDRAULIC PUMP CONTACTOR |
| ES1 | 909 6622 000 | VACUUM MOTOR RELAY |
| ES2 | 909 6622 000 | FILTER SHAKER RELAY |
| ES3 | 146 1646 000 | START RELAY |
| F0 | 33008583 | PRIMARY HYDRAULIC PUMP FUSE (250 A) |
| F1 | 33017361 | VACUUM SYSTEM CIRCUIT BREAKER |
| F2 | 33020282 | FILTER SHAKER CIRCUIT BREAKER |
| F3 | 33019709 | WATER PUMP CIRCUIT BREAKER (OPTIONAL) |
| F4 | 33017360 | IGNITION KEY CIRCUIT BREAKER |
| F5 | 33017361 | MOTOR ACCESSORY CIRCUIT BREAKER |
| F6 | 33017361 | WORK LIGHTS CIRCUIT BREAKER (OPTIONAL) |
| F8 | 33017361 | CAB FAN CIRCUIT BREAKER (OPTIONAL) |
| F10 | 909 5101 000 | AUXILIARY FUSE (30 A) |
| HN | 33009017 | HORN |
| K1 | 33020442 | IGNITION SWITCH |
| L1/2 | 33019229 | WORK LIGHTS (OPTIONAL) |
| M1 | 33015700 | VACUUM SYSTEM MOTOR |
| M2 | 33017232 | FILTER SHAKER MOTOR |
| M3 | 33019726 | WATER PUMP (OPTIONAL) |
| M4 | TBD | FAN CAB (OPTIONAL) |
| M5 | 33020222 | OIL COOLER FAN |
| M6 | 33023036 | MP COOLER FAN |
| MP | 33022549 | PRIMARY ELECTRIC MOTOR |
| R1 | NA | T1, T2, BZ1 RESISTOR |
| R2 | NA | T1, T2, BZ1 RESISTOR |
| R3 | NA | ES1 RESISTOR |
| R4 | NA | ES2 RESISTOR |
| R5 | NA | ES3 RESISTOR |
| R6 | NA | WL1 RESISTOR (OPTIONAL.) |
| R7 | NA | WL2 RESISTOR (OPTIONAL) |
| R8 | NA | SW1 RESISTOR |
| R9 | NA | M5 RESISTOR |
| R10 | NA | SW6 RESISTOR |
| R11 | NA | M3 RESISTOR (OPTIONAL) |
| STR | 33017221 | GAUGE |
| SE1 | TBD | PLUGGED FILTER SENSOR (OPTIONAL) |
| SE2 | TBD | HOPPER TEMPERATURE SENSOR (OPTIONAL) |
| SW1 | 33018843 | VACUUM SYSTEM/FILTER SHAKER SWITCH |
| SW2 | 33018844 | HORN SWITCH |
| SW3 | NA | SEAT SWITCH |
| SW4 | 33018521 | REVERSE GEAR PROXIMITY SENSOR |
| SW5 | TBD | FAN SWITCH |
| SW6 | 33019325 | WATER PUMP SWITCH (OPTIONAL) |
| SW7 | TBD | WORK LIGHTS SWITCH (OPTIONAL) |
| T1 | 33017359 | PRIMARY FILTER SHAKER TIMER |
| T2 | 33017385 | SECONDARY FILTER SHAKER TIMER |
| T3 | 33019197 | SEAT SWITCH TIMER |
| WL1 | TBD | PLUGGED FILTER LED (OPTIONAL) |
| WL2 | TBD | HOPPER TEMPERATURE LED (OPTIONAL) |

| KEY | COLOUR |
|-----|------------|
| BK | BLACK |
| BU | LIGHT BLUE |
| BN | BROWN |
| GN | GREEN |
| GY | GREY |
| OG | ORANGE |

| KEY | COLOUR |
|-----|--------|
| PK | PINK |
| RD | RED |
| VT | VIOLET |
| WH | WHITE |
| YE | YELLOW |

HYDRAULIC DIAGRAM



HYDRAULIC DIAGRAM

| ITEM | REF. NO. | DESCRIPTION |
|------|----------|---------------------------|
| 1 | 33018809 | OIL TANK |
| 2 | 33010199 | OIL FILTER |
| 3 | 33022111 | DRIVE SYSTEM PUMP |
| 4 | 33020224 | ACCESSORY PUMP |
| 5 | 33019737 | DRIVE SYSTEM MOTOR |
| 6 | 33022292 | POWER STEERING |
| 7 | 33018808 | STEERING CYLINDER |
| 8 | 33022413 | OIL COOLER |
| 9 | 33018812 | MANIFOLD 3 LEVERS |
| 10 | 33018811 | HOPPER LIFTING CYLINDER |
| 11 | 33018802 | SKIRT CYLINDER |
| 12 | 33018872 | MAIN BROOM MOTOR |
| 13 | 33021765 | MAIN BROOM CYLINDER |
| 14 | 33018815 | MANIFOLD 1 LEVER |
| 15 | 33018807 | RIGHT SIDE BROOM MOTOR |
| 16 | 33021767 | RIGHT SIDE BROOM CYLINDER |
| 17 | 33018840 | CHECK VALVE |
| 18 | 33010481 | ONE-WAY VALVE |
| 19 | 33018816 | DOUBLE CHECK VALVE |
| 20 | 33017432 | MANIFOLD BLOCK |
| 21 | 33018807 | LEFT SIDE BROOM MOTOR |
| 22 | 33021766 | LEFT SIDE BROOM CYLINDER |
| 23 | 33017431 | OIL FILTER |

RECOMMENDED SPARE PARTS

| | REF. NO. | QTY | DESCRIPTION | |
|---|--------------|-----|---|--|
| | 33003175 | 1 | BEARING 32007 | |
| | 145 4691 000 | 1 | BEARING | |
| | 33017129 | 1 | GASKET TRIM EDGE BULB | |
| | 33017171 | 1 | FLAP SIDE | |
| | 33017172 | 1 | FLAP SIDE | |
| | 33017173 | 2 | FOAM HOPPER SIDE | |
| | 33017174 | 1 | FLAP REAR BROOM | |
| | 33018803 | 1 | LATCH KIT | |
| | 33017257 | 1 | TRIM EDGE BULB L 900MM | |
| | 33017126 | 1 | SEAL HOPPER COVER L 2930 | |
| | 33015700 | 1 | MOTOR VACUUM 48V (M1) | |
| | 33016950 | 1 | GASKET | |
| | 8-24-04139-1 | 1 | PANEL FILTER | |
| | 33018634 | 1 | GASKET FILTER ASSY L 2560 | |
| | 33017232 | 1 | MOTOR FILTER SHAKER 48V (M2) | |
| | 33021313 | 1 | SIDE BROOM ATLANTIS PPL | |
| | 33017255 | 1 | BROOM SIDE PPL 259X550 | |
| | 33019102 | 1 | PIN SIDE BROOM KIT | |
| | 33010199 | 1 | FILTER HYDRAULIC OIL | |
| | 33011530 | 1 | PLUG | |
| | 33001307 | 1 | GASKET | |
| | 33018812 | 1 | DISTRIBUTOR 3 ELEMENTS KIT | |
| | 33018815 | 1 | DISTRIBUTOR 1 ELEMENT KIT | |
| | 33018816 | 1 | VALVE PRIORITY KIT | |
| | 33018817 | 1 | CUTOFF VALVE DOUBLE KIT | |
| | 33018840 | 2 | CUTOFF VALVE KIT | |
| | 33018258 | 1 | FAN | |
| | 33017199 | 1 | SPRING | |
| | 33017259 | 1 | MAT PEDAL | |
| | 33018841 | 1 | FOOT PEDAL UPPER KIT | |
| | 33018843 | 1 | SWITCH SUCTION KIT (SW1) | |
| | 33018844 | 1 | SWITCH HORN KIT (SW2) | |
| | 33017221 | 1 | GAUGE 48V (STR) | |
| | 33017375 | 1 | DECAL GAUGE PANEL | |
| | 33020442 | 1 | SWITCH KEY | |
| | 146 0073 00 | 1 | KEY (1PC) | |
| | 33017385 | 1 | RELAY TIMER 0.5 SEC. (T2) | |
| | 33017356 | 1 | HARNESS RELAY BATTERY | |
| | 33019197 | 1 | RELAY TIMER 0.5 SEC. (T3) | |
| | 33017360 | 1 | BREAKER CIRCUIT 16A | |
| | 33018858 | 1 | BROOM MAIN SPIRAL PPL 0.5 WHITE NAVY/STEEL 0.36 | |
| | 33002106 | 1 | SPRING MAIN BROOM | |
| | 33018866 | 1 | SUPPORT BEARING KIT | |
| | 33018867 | 1 | ROD SPRING KIT | |
| | 33018868 | 1 | LEVER WELDED KIT | |
| | 33018869 | 1 | ROD LEVER KIT | |
| | 33023036 | 1 | FAN COOLING MOTOR ELECTRIC KIT | |
| | 33019625 | 1 | CARBON BRUSH KIT 4PCS | |
| | 33022549 | 1 | MOTOR ELECTRIC AND CABLE EXTENTION KIT (MP) | |
| | 33017361 | 3 | BREAKER CIRCUIT 10A (F1 - F5 - F6) | |
| | 33017357 | 1 | HARNESS REAR COVER | |
| # | 33023124 | 1 | WHEEL SUPERELASTIC GUMASOL 4.00/8 PKD | |
| | 33022519 | 2 | WHEELS SUPERELASTIC 5.00/8 KIT | |
| | 33017376 | 1 | HARNESS MAIN BATTERY | |
| | 33017362 | 1 | HARNESS ELECTRIC MOTOR | |
| | 909 5101 000 | 1 | FUSE 30A (F10) | |
| | 33019166 | 1 | CONNECTOR 350 AMP BLUE (C1) | |
| | 33008583 | 1 | POWER FUSE 250A (F0) | |
| | 33017449 | 1 | CONTACTOR UNIPOLAR 48V (ES0) | |
| | 56382789 | 1 | PANEL FILTER WATER RESISTENT | |

OPTIONALS

| | REF. NO. | QTY | DESCRIPTION | |
|--|------------|-----|--|--|
| | 33018889 | 1 | BROOM SIDE PPL 1,5/STEEL | |
| | 33018890 | 1 | BROOM SIDE NYLON 0,5 | |
| | 33018856 | 1 | BROOM MAIN SPIRAL NYLON 1.2 | |
| | 33018857 | 1 | BROOM MAIN SPIRAL PPL 0.5 WHITE NAVY | |
| | 33018859 | 1 | BROOM MAIN SPIRAL UNION MIX | |
| | 33019173 | 1 | LEFT SIDE BROOM KIT | |
| | 33019377 | 1 | PRE MISTING SYSTEM KIT | |
| | 33019172 | 1 | WHEEL SOLID NON MARKING KIT | |
| | 33019171 | 1 | OVER HEAD GUARD KIT | |
| | 33019176 | 1 | POCKET FILTER KIT 12V | |
| | 33019174 | 1 | TILT STEERING | |
| | 56507740 | 1 | POCKET WATER RESISTANT FILTER | |
| | 56508663 | 1 | SIDE-VIEW MIRRORS FOR USE WITH OHG AND CAB | |
| | 33019554 | 1 | SEAT BELT KIT | |
| | 33019570 | 1 | MAT FLOOR KIT | |
| | 33019572 | 1 | GUARD REAR BUMPER KIT | |
| | 33019560 | 1 | FRONT LIGHT 48V KIT | |
| | 33019573 | 1 | HOPPER STOP KIT | |
| | 56305223 | 1 | PIVOTING LIGHT (BE1) | |
| | 56507830 | 1 | DRIVER'S SIDE WORKING LIGHT | |
| | 56507830 | 1 | REAR WORKING LIGHT | |
| | 56305627 | 1 | HOOD INNER LIGHT | |
| | 56305518 | 1 | CLOGGED AIR FILTER SENSOR | |
| | 56507029 | 1 | HOPPER TEMPERATURE SENSOR | |
| | 56507040 | 1 | SUSPENSION SEAT - ADJUSTABLE BACK TILT - ARM REST - SEAT BELT | |
| | 33020056 | 1 | CLOGGED DUST CONTROL FILTER INDICATOR | |
| | 56507038 | 1 | AMBER STROBE LIGHT (WITHOUT OHG OR CAB) | |
| | 33019571 | 1 | FRONT CORNER GUARDS - FOR BOTH LEFT AND RIGHT CORNERS | |
| | 56507033 | 1 | RAISED ENGINE AIR INTAKE WITH PREFILTER | |
| | 8-83-04016 | 1 | LP TANK WITH OUTAGE AND FILLER VALVE, LP MODELS ONLY | |
| | 56507039 | 1 | AMBER STROBE LIGHT FOR USE WITH OHG | |
| | 33020002 | 1 | SOFT-SIDED CAB FOR WEATHER PROTECTION (MUST ORDER OHG) | |
| | 56507916 | 1 | STRAINER/CHECK VALVE, DUSTGUARD | |
| | 56508709 | 1 | 0.1 GALLON (0.379 LITER) PER MIN. NOZZLE TIP FOR HIGH DUST APPL. | |
| | 56507908 | 1 | CAP, DUSTGUARD, YELLOW, TOOLS-FREE | |
| | 33021392 | 1 | FRONT PROTECTION KIT | |
| | 33021975 | 1 | GAS SPRING KIT | |



Advance

14600 21st Avenue North
Plymouth, MN 55447-3408

www.advance-us.com

Phone: 800-989-2235

Fax: 800-989-6566

©2014 Nilfisk-Advance, Inc.

A Nilfisk-Advance Brand